

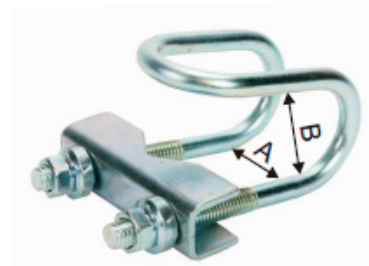
# SEISMIC SWAY BRACE PIPE ATTACHMENT

## SOPORTE ANTISÍSMICO FIG. 1000 TOLCO O PHD 010

### Seismic Sway Brace Pipe Attachment

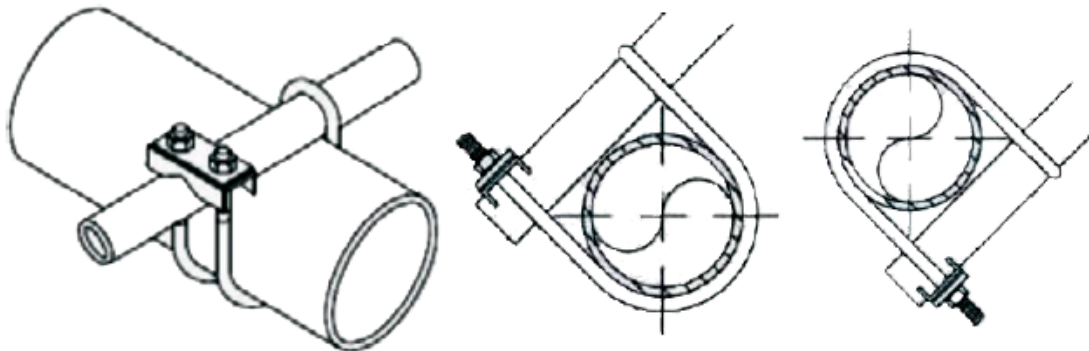
- Material : Carbon Steel - Zinc Plated

- Application : Designed for bracing pipe against sway and seismic disturbance. The pipe attachment component of a sway brace system used in conjunction with structural attachment fitting, and joined together with a bracing pipe element forms a complete sway brace assembly.



- Installation: Place over the pipe to be braced, adjust brace angle, and insert bracing pipe through opening leaving a minimum of 1" extending from attachment. Brace pipe can be installed on top or bottom of pipe to be braced but must be a minimum of 6" away from a pipe joint. Tighten nuts down evenly until hex heads break off.

- Ordering : Specify Cat. Number



| Cat.No.   | Pipe Size (B) |     | Brace Pipe Size (A) |    |
|-----------|---------------|-----|---------------------|----|
|           | inch          | DN  | inch                | mm |
| SBPA-1100 | 1"            | 25  | 1"                  | 25 |
| SBPA-1125 | 1-1/4"        | 32  | 1"                  | 25 |
| SBPA-1150 | 1-1/2"        | 40  | 1"                  | 25 |
| SBPA-1200 | 2"            | 50  | 1"                  | 25 |
| SBPA-1250 | 2-1/2"        | 65  | 1"                  | 25 |
| SBPA-1300 | 3"            | 80  | 1"                  | 25 |
| SBPA-1400 | 4"            | 100 | 1"                  | 25 |
| SBPA-1600 | 6"            | 150 | 1"                  | 25 |

| Cat.No.     | Pipe Size (B) |     | Brace Pipe Size (A) |    |
|-------------|---------------|-----|---------------------|----|
|             | inch          | DN  | inch                | mm |
| SBPA-114100 | 1"            | 25  | 1-1/4"              | 32 |
| SBPA-114125 | 1-1/4"        | 32  | 1-1/4"              | 32 |
| SBPA-114150 | 1-1/2"        | 40  | 1-1/4"              | 32 |
| SBPA-114200 | 2"            | 50  | 1-1/4"              | 32 |
| SBPA-114250 | 2-1/2"        | 65  | 1-1/4"              | 32 |
| SBPA-114300 | 3"            | 80  | 1-1/4"              | 32 |
| SBPA-114400 | 4"            | 100 | 1-1/4"              | 32 |
| SBPA-114600 | 6"            | 150 | 1-1/4"              | 32 |