

LONGITUDINAL IN-LINE SWAY BRACE ATTACHMENT

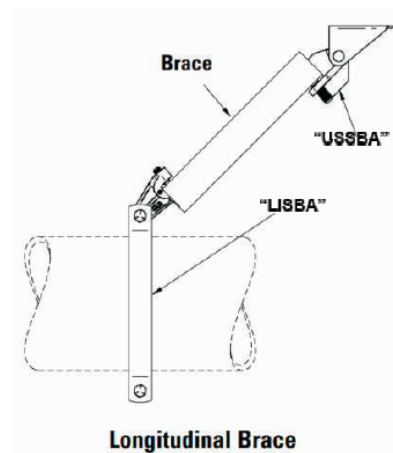
SOPORTE ANTISÍSMICO FIG 4 LA PARA TUBO

Longitudinal In Line Clamping Pipe Attachment

- Material : Carbon Steel - Zinc Plated
- Application : Designed for bracing pipe against sway and seismic disturbance. Versatile design allows for attachment at any angle and the ability to be used in a lateral or longitudinal bracing configuration.
- Installation: Place attachment around pipe to be braced, positioning brace attachment as needed, then tighten clamping bolts and nuts finger tight. Insert brace component into fitting against back of jaw. Tighten set screw finger tight, adjust brace angle as needed, then tighten set screw until hex head breaks off. Then evenly torque clamping bolts until hex portion of clamping nuts break off.
- Ordering : Specify Cat. Number



Cat.No.	Pipe Size (B)		Structural Size (max)	
	inch	DN	inch	mm
LISBA-200	2"	50	3/4"	19
LISBA-250	2-1/2"	65	3/4"	19
LISBA-300	3"	80	3/4"	19
LISBA-400	4"	100	3/4"	19
LISBA-500	5"	125	3/4"	19
LISBA-600	6"	150	3/4"	19
LISBA-800	8"	200	3/4"	19



Longitudinal Brace