

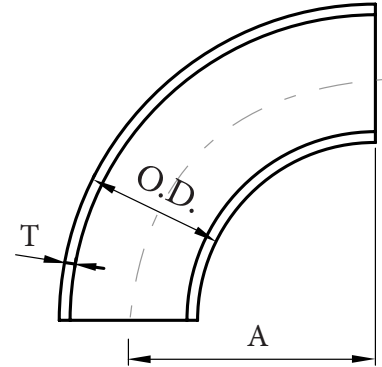


# CODO 90° Long Radius

**Normas de Diseño:**  
ANSI/ASME B16.9

**Material:**  
Acero A234 WPB

**Cédula:**  
STD, SCH 40, XS, SCH 80,  
SCH 160



**Unidad:** Milímetros (mm)

| MEDIDA | DIÁMETRO EXTERIOR (OD) | ESPESOR DE PARED (T) |        |      |        |         | CENTRO A FINAL (A) | PESO APROXIMADO (Kg) |        |      |        |         |
|--------|------------------------|----------------------|--------|------|--------|---------|--------------------|----------------------|--------|------|--------|---------|
|        |                        | STD                  | SCH 40 | XS   | SCH 80 | SCH 160 |                    | STD                  | SCH 40 | XS   | SCH 80 | SCH 160 |
| 1/2"   | 21.3                   | 2.8                  | 2.8    | 3.7  | 3.7    | 4.8     | 38.1               | 0.08                 | 0.08   | 0.10 | 0.10   | -       |
| 3/4"   | 26.7                   | 2.9                  | 2.9    | 3.9  | 3.9    | 5.6     | 28.4               | 0.11                 | 0.11   | 0.14 | 0.14   | -       |
| 1"     | 33.5                   | 3.4                  | 3.4    | 4.5  | 4.5    | 6.4     | 38.1               | 0.16                 | 0.16   | 0.20 | 0.20   | 0.25    |
| 1 1/4" | 42.2                   | 3.6                  | 3.6    | 4.9  | 4.9    | 6.4     | 47.8               | 0.26                 | 0.26   | 0.35 | 0.35   | 0.42    |
| 1 1/2" | 48.3                   | 3.7                  | 3.7    | 3.7  | 3.7    | 7.1     | 51                 | 0.37                 | 0.37   | 0.50 | 0.50   | 0.65    |
| 2"     | 60.5                   | 3.9                  | 3.9    | 5.5  | 5.5    | 8.7     | 76.2               | 0.66                 | 0.66   | 0.90 | 0.90   | 1.33    |
| 2 1/2" | 73.2                   | 5.2                  | 5.2    | 7.0  | 7.0    | 9.5     | 95.3               | 1.37                 | 1.37   | 1.79 | 1.79   | 2.33    |
| 3"     | 88.9                   | 5.5                  | 5.5    | 7.6  | 7.6    | 11.1    | 114.3              | 2.04                 | 2.04   | 2.74 | 2.74   | 3.83    |
| 4"     | 114.3                  | 6.0                  | 6.0    | 8.6  | 8.6    | 13.5    | 152.4              | 3.84                 | 3.84   | 5.36 | 5.36   | 8.02    |
| 5"     | 141.2                  | 6.6                  | 6.6    | 9.5  | 9.5    | 15.9    | 190.5              | 6.48                 | 6.48   | 9.13 | 9.13   | 14.7    |
| 6"     | 168.1                  | 7.1                  | 7.1    | 11.0 | 11.0   | 18.3    | 228.6              | 9.94                 | 9.94   | 15.0 | 15.0   | 24.2    |
| 8"     | 218.9                  | 8.2                  | 8.2    | 12.7 | 12.7   | 23.0    | 304.8              | 20.1                 | 20.1   | 30.5 | 30.5   | 53.2    |
| 10"    | 273.1                  | 9.3                  | 9.3    | 12.7 | 15.0   | 28.6    | 381.0              | 35.4                 | 35.4   | 48.8 | 57.0   | 103     |
| 12"    | 323.9                  | 9.5                  | 10.3   | 12.7 | 17.5   | 33.3    | 457.2              | 53.1                 | 57.0   | 70.0 | 94.0   | 171     |
| 14"    | 355.9                  | 9.5                  | 11.1   | 12.7 | 19.1   | 35.7    | 533.4              | 68.1                 | 79.1   | 90.0 | 133    | 236     |
| 16"    | 406.4                  | 9.5                  | 12.7   | 12.7 | 21.4   | 40.4    | 609.6              | 89.3                 | 118    | 118  | 195    | 350     |
| 18"    | 457.2                  | 9.5                  | 14.3   | 12.7 | 23.8   | 45.2    | 685.8              | 113                  | 169    | 150  | 275    | 495     |
| 20"    | 508.0                  | 9.5                  | 15.0   | 12.7 | 26.1   | 50.0    | 762.0              | 140                  | 220    | 186  | 373    | 676     |
| 22"    | 558.8                  | 9.5                  | -      | 12.7 | 28.6   | 54.0    | 838.2              | 170                  | -      | 225  | 493    | 886     |
| 24"    | 609.6                  | 9.5                  | 17.5   | 12.7 | 31.0   | 59.5    | 914.4              | 202                  | 366    | 269  | 636    | 1160    |