

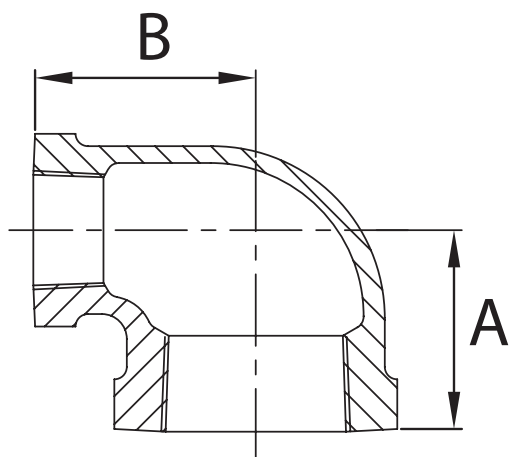
**Normas de Diseño:**

Roscado NPT ANSI B1.20.1

**Material:** Acero Inoxidable ASTM A351  
CF8 (304) y CF8M (316)

Presión de Trabajo:

300 PSI @ -28°C a 38°C / 150 SWP



Medida		Dimensiones	
inch	mm	A (mm)	B (mm)
1/4 x 1/8	8 x 6	18.8	19.3
3/8 x 1/8	10 x 6	20.5	21.6
3/8 x 1/4	10 x 8	22.4	22.9
1/2 x 1/4	15 x 8	24.6	24.9
1/2 x 3/8	15 x 10	26.4	27.4
3/4 x 1/4	20 x 8	26.7	27.4
3/4 x 3/8	20 x 10	28.5	28.7
3/4 x 1/2	20 x 15	30.5	31
1 x 1/4	25 x 8	27	31
1 x 3/8	25 x 10	30	32.3
1 x 1/2	25 x 15	32	35.5
1 x 3/4	25 x 20	34.8	36.8
1 1/4 x 3/8	32 x 10	32	36.5
1 1/4 x 1/2	32 x 15	34	38.9
1 1/4 x 3/4	32 x 20	36.8	41.2
1 1/4 x 1	32 x 25	40.1	42.4
1 1/2 x 1/2	40 x 15	35	41.5
1 1/2 x 3/4	40 x 20	38.6	44.5
1 1/2 x 1	40 x 25	41.9	45.7
1 1/2 x 1 1/4	40 x 32	46.2	47.8
2 x 1/2	50 x 15	37.5	47.5
2 x 3/4	50 x 20	40.6	50.0
2 x 1	50 x 25	43.9	51.3
2 x 1 1/4	50 x 32	48.3	53.3
2 x 1 1/2	50 x 40	51.3	54.9
2 1/2 x 3/4	65 x 20	42	57
2 1/2 x 1	65 x 25	46	58.7
2 1/2 x 1 1/4	65 x 32	50.5	60
2 1/2 x 1 1/2	65 x 40	54.9	63.8
2 1/2 x 2	65 x 50	60.7	66.0
3 x 3/4	80 x 20	45	65
3 x 1	80 x 25	50	67.5
3 x 1 1/4	80 x 32	55	70
3 x 1 1/2	80 x 40	58	72
3 x 2	80 x 50	64	73.4
3 x 2 1/2	80 x 65	71.9	75.9
4 x 1 1/4	100 x 32	60	85
4 x 1 1/2	100 x 40	92	85
4 x 2	100 x 50	69	87
4 x 2 1/2	100 x 65	78	90
4 x 3	100 x 80	83.8	91.4
6 x 4	150 x 100	102	125