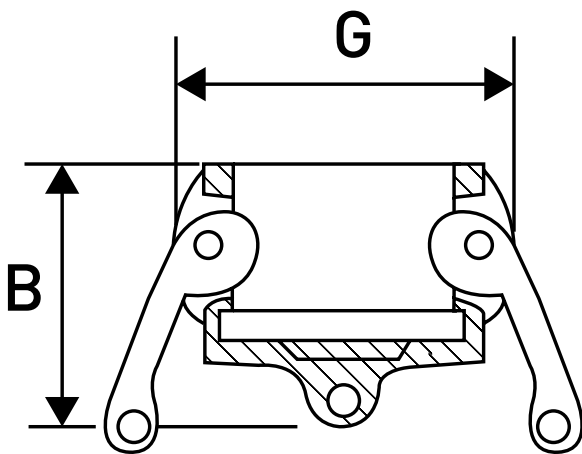




# CAMLOCK PART DC

## DUST CAP

**Design Norm:** Federal Mil A-A-59326A  
**Material:** Stainless Steel 304 y 316  
**Working Pressure:**  
 1/2" 150 PSI, 3/4" - 2" 250 PSI, 2 1/2" 225 PSI,  
 3" 200 PSI, 4"-6" 100 PSI



Size		B (mm)	G (mm)	Weight (kg)
inch	mm			
1/2"	13	43	39	0.13
3/4"	19	46	54	0.13
1"	25	52	59	0.31
1 1/4"	32	60	70	0.54
1 1/2"	40	63	80	0.66
2"	50	70	89	0.83
2 1/2"	65	73	105	1.07
3"	75	78	121	1.59
4"	100	90	150	2.21
5"	125	105	180	3.50
6"	150	113	220	5.08