



(Technical communication n° A-031)

A70 Single jacket brass coupling

Standard equipment

Forged brass finish, 1 1/2" or 2 1/2" sizes and swivel washer.

[Standard equipment](#)

[A70 - Pin](#)

[A70 - Rocker](#)

HOME

A70 PIN lug coupling



Optional finishes:

PB - Polish Brass

RC - Rough chrome plated

PC - Polish Chrome plated

[Standard equipment](#)

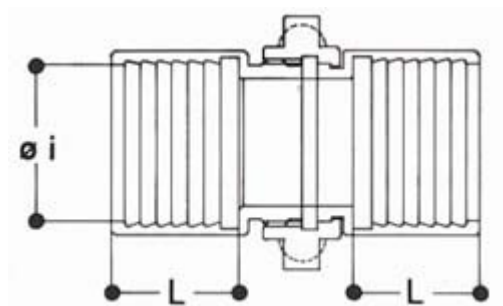
[A70 - Pin](#)

[A70 - Rocker](#)

HOME

Pin lug coupling for use with single or double jacket linen hose.

A70 PIN lug coupling - Dimension and thread



Code	Type	Lenght	Thread	Oi	Jacket
A70Y001	A	28.5	1 1/2" NST PL GL	1 11/16"	Linen
A70Y029	A ₂	28.5	1 1/2" CHT PL GL	1 11/16"	Linen
A70Y003	B	28.5	1 1/2" NPSH PL GL	1 11/16"	Linen
A70Y014	L	28.5	1 1/2" NYFD PL GL	1 11/16"	Linen
A70Y037	N	28.5	1 1/2" PCT PL GL	1 11/16"	Linen
A70Y005	C	28.5	1 1/2" NST PL GL	1 3/4"	Single
A70Y007	D	28.5	1 1/2" NPSH PL GL	1 3/4"	Single

A70 ROCKER lug connection



[Standard equipment](#)

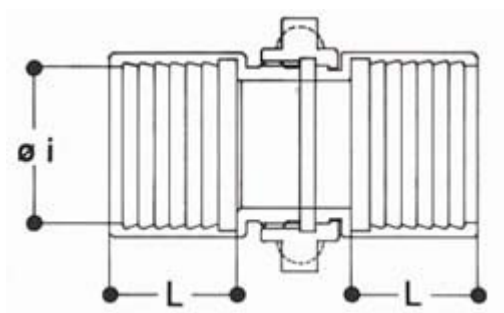
[A70 - Pin](#)

[A70 - Rocker](#)

[HOME](#)

Rocker lug coupling for use with single or double jacket linen hose.

A70 ROCKER lug connection - Dimension and thread



Code	Type	Length	Thread	Oi	Jacket
A70Y011	G	28.5	1 1/2" NST RL GL	1 11/16"	Linen
A70Y012	I	28.5	1 1/2" NPSH RL GL	1 11/16"	Linen
A70Y013	H	28.5	1 1/2" NST RL GL	1 3/4"	Linen