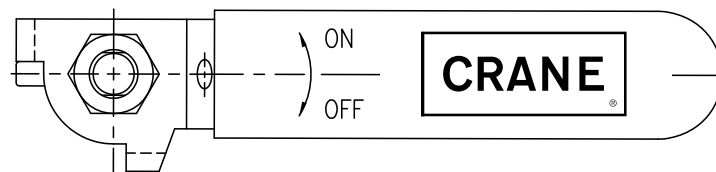
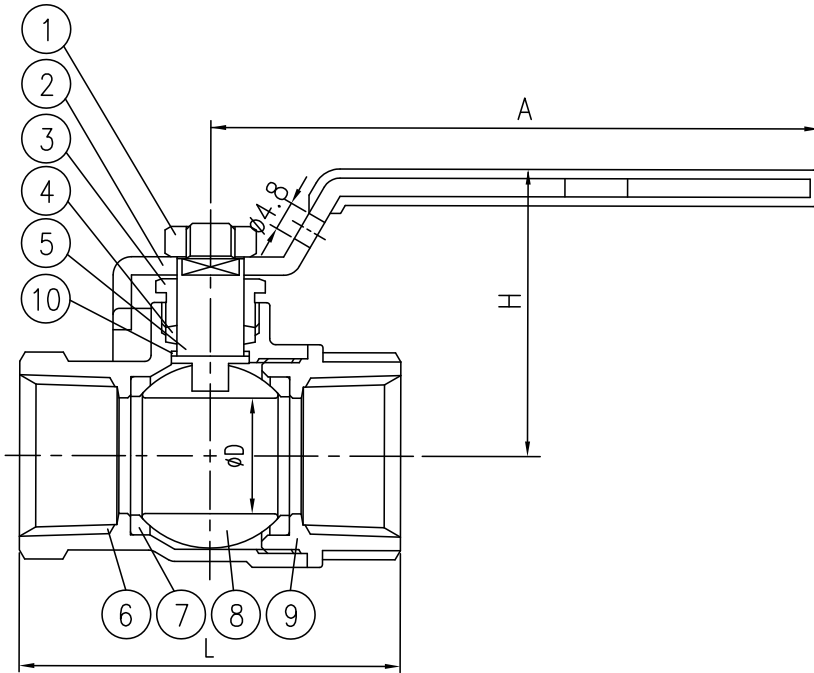


600 CWP/150 SWP • Full Port • Threaded Ends

9201

Forged Brass, 2-Piece Body, Meets MSS SP-110,
CSA/UL/FM Approval (½ - 2" only) NSF 61.8 (¼ - 4")



MH46785
Listed
2L73



Approvals:

UL Approved

- YSDT (LP-Gas Shut-off valves)
- YRBX (Flammable Liquid Shut-off valves)
- MHKZ (Manual valves)

CSA Approved

- CLASS 3371 94 - Manually Operated Metallic for Use in Piping Systems Certified to US Standards
- CLASS 3371 92 - Manually Operated Metallic for Use in House Piping Systems - Certified to US Standards
- CLASS 3371 88 - General Use - Certified to US Standards
- CLASS 3371 81 - Appliance Connector - Certified to US Standards
- CLASS 3371 12 - Manually Operated for Use on Piping
- CLASS 3371 10 - Lever Operated Non-Lubricated Shut-off
- CLASS 3371 08 - General Use
- CLASS 3371 01 - Appliance Connector
- CLASS 3371 10
- CLASS 3371 90

Materials of Construction

No.	Description	Material
1	Nut	AISI-1010
2	Handle	A283-D
3	Stem Gland Screw	B16-C36000
4	Stem Packing	PTFE
5	Stem	B16-C36000
6	Body	B124-C37700 B584-C85700 (2" - 4")
7	Seat	PTFE
8	Ball	B16-C36000 or B124-C37700 (1" - 4")
9	End Plug	B124-C37700
10	Thrust Washer	PTFE (2" - 4")

For optional Accessories see Page 12.

Dimensions and Weights

Inches (millimeters) - Pounds (kilograms)

Valve Size	Dimensions				Wt.
	A	D	H	L	
¼	1.97	0.35	1.26	1.69	0.35
	(50)	(9)	(32)	(43)	(0.16)
⅜	2.95	0.39	1.46	1.81	0.35
	(75)	(10)	(37)	(46)	(0.16)
½	2.95	0.50	1.50	2.13	0.42
	(75)	(13)	(38)	(54)	(0.19)
¾	3.94	0.75	1.85	2.48	0.84
	(100)	(19)	(47)	(63)	(0.38)
1	3.94	0.98	2.05	2.99	1.25
	(100)	(25)	(52)	(76)	(0.57)
1 ¼	4.92	1.25	2.36	3.35	1.83
	(125)	(32)	(60)	(85)	(0.83)
1 ½	4.92	1.50	2.56	3.62	2.49
	(125)	(38)	(65)	(92)	(1.13)
2	7.87	1.97	3.11	4.25	4.58
	(200)	(50)	(79)	(108)	(2.08)
2 ½	7.87	2.48	3.50	5.16	7.71
	(200)	(63)	(89)	(131)	(3.50)
3	7.87	2.95	3.86	5.91	10.64
	(200)	(75)	(98)	(150)	(4.83)
4	7.87	3.97	3.86	6.26	13.22
	(200)	(96)	(98)	(159)	(6.00)