

# Cod.842000-VALV. MARIPOSA RANURADA BUTTERFLY VALVE



## 300PSI VBG01 Grooved-End Butterfly Valve

- Approved Gear Operator for both Indoor or Outdoor use
- NSF Certified Polymide Coated Ductile Iron body for Excellent Protection
- Elastomer Encapsulated Disc with Outstanding Flow Characteristics
- Extended Neck
- Low Torque Operation
- Options of Double Internal Supervisory Switches
- FM & UL/ULC Pending



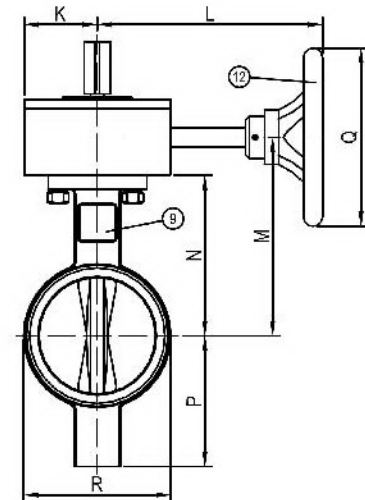
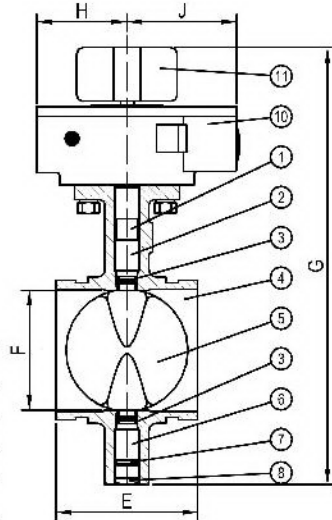
### Material Specifications

PART	SPECIFICATION
1. Upper Stem	Stainless Steel ASTM A 276 Type 420
2. Upper Bearing	PTFE Bronze Sintered on Steel
3. O-Ring	EPDM
4. Body	Ductile Iron ASTM A 536, Polymide Coated
5. Disc	Ductile Iron ASTM A 536 with EPDM Encapsulation
6. Lower Bearing	PTFE Bronze Sintered on Steel
7. Lower Stem	Stainless Steel ASTM A 276 Type 420
8. Dust Plug	PVC
9. Name Plate	Stainless Steel
10. Gear Operator	Cast Iron and Steel
11. Indicator Flag	Cast Iron
12. Handwheel	Cast Iron

### Dimension

Part Number	Size		OD	E		F		G		H		J		K	
	In.	mm		In.	mm	In.	mm	In.	mm	In.	mm	In.	mm	In.	mm
VBG01-073	2½	65	73.0	3.85	98	2.40	61	11.22	285	2.91	74	3.54	90	2.13	54
VBG01-076	3OD	65	76.1	3.85	98	2.40	61	11.22	285	2.91	74	3.54	90	2.13	54
VBG01-089	3	80	88.9	3.85	98	2.87	73	12.20	310	2.91	74	3.54	90	2.13	54
VBG01-114	4	100	114.3	4.56	116	3.86	98	14.17	360	2.91	74	3.54	90	2.13	54
VBG01-140	5½OD	125	139.7	5.86	149	4.80	122	15.35	390	2.91	74	3.54	90	2.13	54
VBG01-141	5	125	141.3	5.86	149	4.80	122	15.35	390	2.91	74	3.54	90	2.13	54
VBG01-165	6½OD	150	165.1	5.86	149	5.75	146	16.73	425	2.91	74	3.54	90	2.13	54
VBG01-168	6	150	168.3	5.86	149	5.75	146	16.73	425	2.91	74	3.54	90	2.13	54
VBG01-219	8	200	219.1	5.27	134	7.72	196	19.41	493	2.91	74	3.54	90	2.13	54
VBG01-273	10	250	273.0	6.30	160	9.57	243	22.76	578	3.90	99	3.98	101	3.03	77

Size	L		M		N		P		Q		R		Wt	
	In.	mm	In.	mm	In.	mm	In.	mm	In.	mm	In.	mm	Lbs.	Kg.
2½	7.68	195	5.27	134	3.78	96	2.95	75	5.90	150	3.35	85	17.6	8.0
3OD	7.68	195	5.27	134	3.78	96	2.95	75	5.90	150	3.35	85	18.3	8.3
3	7.68	195	5.63	143	4.13	105	3.54	90	5.90	150	3.82	97	18.9	8.6
4	7.68	195	6.81	173	5.31	135	4.33	110	5.90	150	4.88	124	23.4	10.6
5½OD	7.68	195	7.32	186	5.83	148	5.00	127	5.90	150	6.10	155	31.3	14.2
5	7.68	195	7.32	186	5.83	148	5.00	127	5.90	150	6.10	155	31.3	14.2
6½OD	7.68	195	8.00	203	6.50	165	5.71	145	5.90	150	7.20	183	34.8	15.8
6	7.68	195	8.00	203	6.50	165	5.71	145	5.90	150	7.20	183	35.5	16.1
8	8.03	204	9.53	242	8.03	204	6.89	175	9.84	250	9.29	236	50.5	22.9
10	9.49	241	11.42	290	9.65	245	8.27	210	11.8	300	11.38	289	88.6	40.2



# Cod. 842000-VALV. MARIPOSA RANURADA BUTTERFLY VALVE



## Butterfly Valve Performance Date

### Formulas for $C_v$ Values

$$\Delta P = \frac{Q^2}{C_v^2}$$

$$Q = C_v \times \sqrt{\Delta P}$$

**Where:**  $Q$  = Flow rate (gallons per minute: GPM)

$\Delta P$  = Pressure drop across valve (PSI)

$C_v$  = Flow coefficient

Nominal Size				Pipe O.D.				Nominal Size				Pipe O.D.				Nominal Size				Pipe O.D.											
In.		mm		mm		Cv (Full Open)		In.		mm		mm		Cv (Full Open)		In.		mm		mm		Cv (Full Open)		In.		mm		mm		Cv (Full Open)	
2 1/2	65	73.0	221	5 1/2 OD	125	139.7	1200	8	200	219.1	3874	3 OD	65	76.1	221	5	125	141.3	1200	10	250	273.0	5995								
3	80	88.9	324	6 1/2 OD	150	165.1	1934																								
4	100	114.3	670	6	150	168.3	1934																								

