



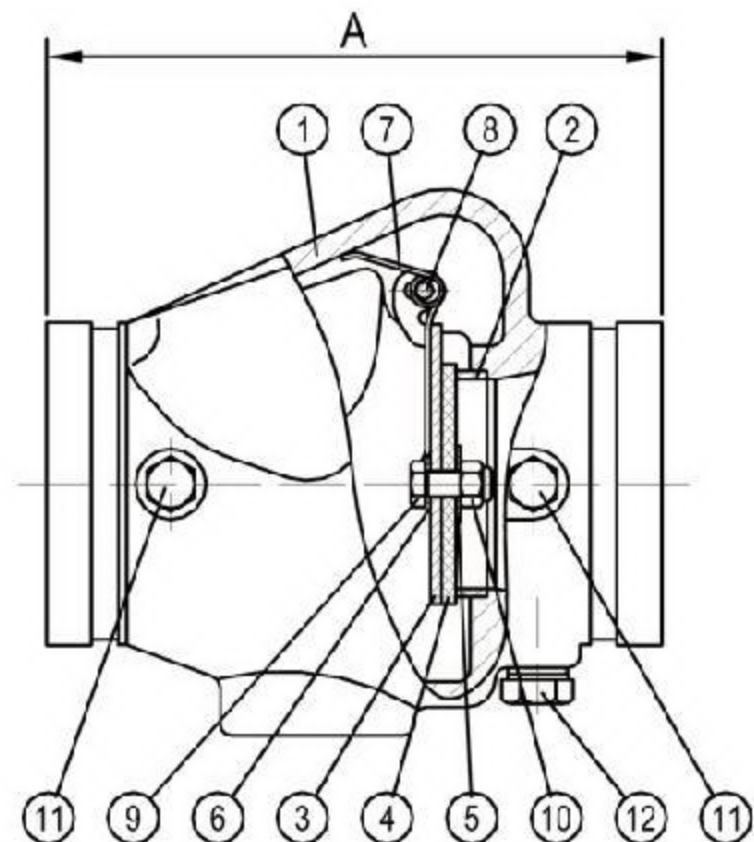
VCG01 - 350PSI Grooved-End Swing Check Valve

- Installed in both Horizontal or Vertical Line with Upward Flow
- Easier and Faster to Maintain and Install
- Low Pressure Drop
- EPDM non-stick leak tight sealing
- All Stainless Steel Wetted Parts to Provide Superior Corrosion Resistance
- FM Approved & UL/ULC Listed



Material Specifications

PART	SPECIFICATION
1. Body	Ductile Iron ASTM A 536
2. Seat	Bronze
3. Clapper	Stainless Steel 304
4. Facing Seal	EPDM Rubber
5. Clamping Ring	Stainless Steel 304
6. Gasket	EPDM Rubber
7. Spring	Stainless Steel 304
8. Hinge Pin	Stainless Steel 304
9. Bolt	Stainless Steel 304
10. Locknut	Stainless Steel 304
11. Plug 1/4" NPT	Carbon Steel
12. Plug 1/2" NPT	Carbon Steel



Dimension

Part Number	size		OD mm	A		Weight	
	In.	mm		In.	mm	lbs	kg
VCG01-060	2	50	60.3	6.65	169	5.5	2.5
VCG01-073	2½	65	73.0	7.20	183	8.8	4
VCG01-078	3OD	65	76.1	7.20	183	8.8	4
VCG01-089	3	80	88.9	7.80	198	13	6
VCG01-114	4	100	114.3	8.58	218	20	9
VCG01-140	5½OD	125	139.7	9.78	248	33	15
VCG01-141	5	125	141.3	9.76	248	33	15
VCG01-165	6½OD	150	165.1	10.63	270	42	19
VCG01-188	6	150	168.3	10.63	270	42	19
VCG01-219	8	200	219.1	12.80	325	77	35
VCG01-273	10	250	273.0				
VCG01-324	12	300	323.9				



Cod.842020 VALV. CHECK SWING RANURADA CHECK VALVE



Check Valve Performance Data

Formulas for C_v Values

$$P = \frac{Q^2}{C_v^2} \Delta$$

Where: Q = Flow rate (gallons per minute: GPM)

ΔP = Pressure drop across valve (PSI)

$$C_v = \frac{Q}{\sqrt{\Delta P}} \times C = Q \quad C_v = \text{Flow coefficient}$$

Nominal Size	Pipe O.D.	Cv (Full Open)	Nominal Size	Pipe O.D.	Cv (Full Open)	Nominal Size	Pipe O.D.	Cv (Full Open)
In.	mm	mm	In.	mm	mm	In.	mm	mm
2	50	60.3	4	100	114.3	6½OD	150	165.1
2½	65	73.0	5½OD	125	139.7	6	150	168.3
3OD	65	76.1	5	125	141.3	8	200	219.1
3	80	88.9						

