

# Brass Threaded Gate Valves

## Specification

Fig No. X1010BT

Sizes: 1/2", 3/4", 1", 1 1/4", 1 1/2", 2"

Manufactured to BS 5154/B

PN16 120°C

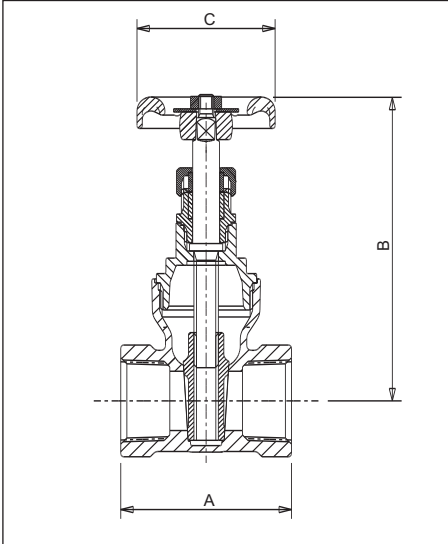
Application: Group 2 liquids (non-hazardous)

Operation: Handwheel

Material: Brass BS EN 12165 – CW614N

End Connection: BSPT, NPT

Note. Threaded valves also available in American Thread (NPT) sizes - Fig No. X1010AT



## Dimensions and Weights

Size	Weight (kg)	A(mm)	B(mm)	C(mm)
1/2	0.32	51.6	89	44.5
3/4	0.45	56	99	44.5
1	0.70	64	117	52.4
1 1/4	1.22	72	124	65.0
1 1/2	1.55	75	143	69.9
2	2.45	91	167	77.7

# Brass Threaded Quarter Turn Ball Valves

## Specification

Fig No. X1020BT

Sizes: 1/2", 3/4", 1", 1 1/4", 1 1/2", 2"

WRAS approved PN16 120°C

Application: Group 2 liquids and gases (non-hazardous)

Operation: Lever

Body Material: Brass BS EN 12165 – CW614N

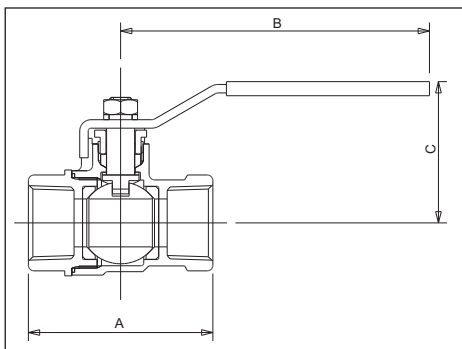


**WRAS**  
APPROVED  
PRODUCT

Ball Material: Brass, chrome plated

End Connection: BSPT, NPT

Note. Threaded valves also available in American Thread (NPT) sizes - Fig No. X1020AT



## Dimensions and Weights

Size	Weight (kg)	A(mm)	B(mm)	C(mm)
1/2	0.21	55.5	45	95
3/4	0.31	65.5	50	110
1	0.75	79.5	62	139
1 1/4	1.13	96	66	139
1 1/2	1.57	103.5	83	159
2	2.38	126.6	93	159