

PN64 Malleable Iron Strainer

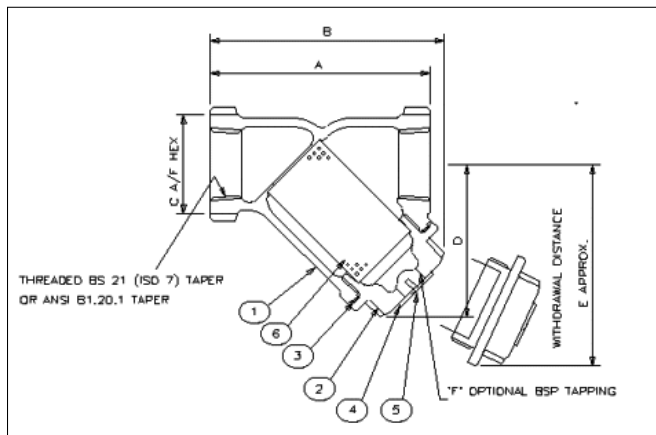
Scale and dirt in piping systems cause endless trouble and frequently serious damage to pipeline equipment. Installation of Crane strainers will help eliminate the problems caused by foreign matter within piping systems. Stainless Steel strainer element, screwed in cap.

Materials

| Part | Material | Size |
|-------------|--------------------------------------|------|
| 1 Body | Malleable Iron BS EN 1562 GJMB-300-6 | All |
| 2 Cap | Malleable Iron BS EN 1562 GJMB-300-6 | All |
| 3 Gasket | Asbestos Free | All |
| 4 ID. Plate | Aluminium | All |
| 5 Drive Pin | Steel - Electro Brassed | All |
| 6 Screen | Stainless Steel Type 304 | All |



Dimensional Drawing



Dimensions and Weights

| Size | Weight (kg) | A (mm) | B (mm) | C (mm) | D (mm) | E (mm) |
|--------|-------------|--------|--------|--------|--------|--------|
| 1/2" | 0.37 | 74 | 79 | 30 | 51 | 61 |
| 3/4" | 0.54 | 89 | 96 | 38 | 64 | 77 |
| 1" | 0.92 | 104 | 110 | 47 | 72 | 92 |
| 1.1/4" | 1.55 | 137 | 144 | 56 | 100 | 128 |
| 1.1/2" | 2.22 | 150 | 157 | 65 | 109 | 139 |
| 2" | 4.17 | 178 | 183 | 79 | 126 | 160 |

Specification

Strainers are normally supplied with stainless steel perforated strainer elements having 0.75mm diameter holes.

This product is not suitable for use on unstable fluids as defined by the Pressure Equipment Directive 97/23/EC.

Temperature operating range: -30 to 288 degrees celsius.

Pressure Rating: PN64

UK End Connection: BS21 Taper

US End Connection: See F274

Operating Instructions:

Each strainer is individually shell tested at 103bar (1500lbF/in2)