

Brass Valves Range

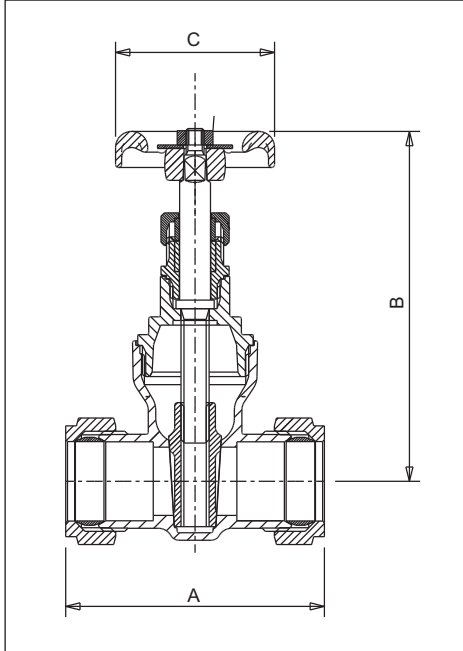


Compression end Gate and Ball valves
Threaded Gate and Ball valves
Compression end Spring Check Valves

Brass Compression End Gate Valves

Specification

Fig No. X1010C
 Sizes: 15mm, 22mm, 28mm, 35mm, 42mm, 54mm
 Manufactured to BS 5154/B
 PN16 120°C
 Application: Group 2 liquids (non-hazardous)
 Operation: Handwheel
 Material: Brass BS EN 12165 – CW614N
 End Connection: Compression



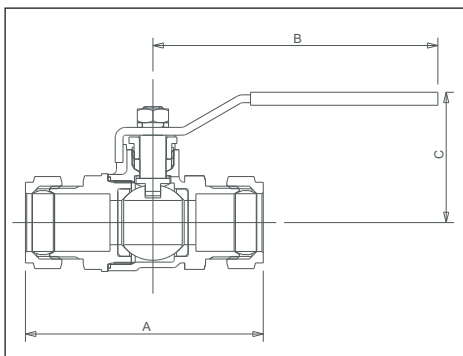
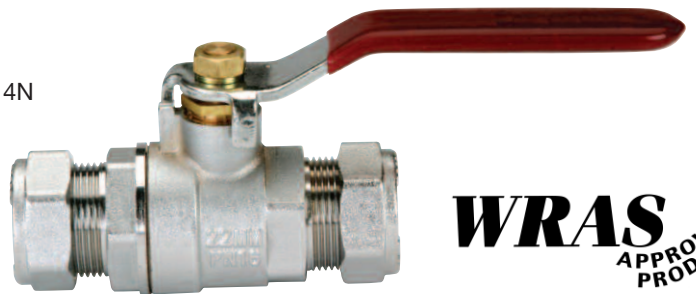
Dimensions and Weights

Size	Weight (kg)	A(mm)	B(mm)	C(mm)
15mm	0.32	70	89	44.5
22mm	0.45	78	99	44.5
28mm	0.70	90	117	52.4
35mm	1.22	107	124	65.0
42mm	1.55	113	143	69.9
54mm	2.45	129	167	77.7

Brass Compression End Quarter Turn Ball Valves

Specification

Fig No. X1020C
 Sizes: 15mm, 22mm, 28mm, 35mm, 42mm, 54mm
 WRAS approved PN16 120°C
 Application: Water
 Operation: Lever
 Body Material: Brass BS EN 12165 – CW614N
 Ball Material: Brass, chrome plated
 End Connection: Compression



Dimensions and Weights

Size	Weight (kg)	A(mm)	B(mm)	C(mm)
15mm	0.25	79	45	95
22mm	0.42	92	50	110
28mm	0.86	112	62	139
35mm	1.42	125	66	139
42mm	1.90	135	83	139
54mm	3.44	170	93	139

Brass Threaded Gate Valves

Specification

Fig No. X1010BT

Sizes: 1/2", 3/4", 1", 1 1/4", 1 1/2", 2"

Manufactured to BS 5154/B

PN16 120°C

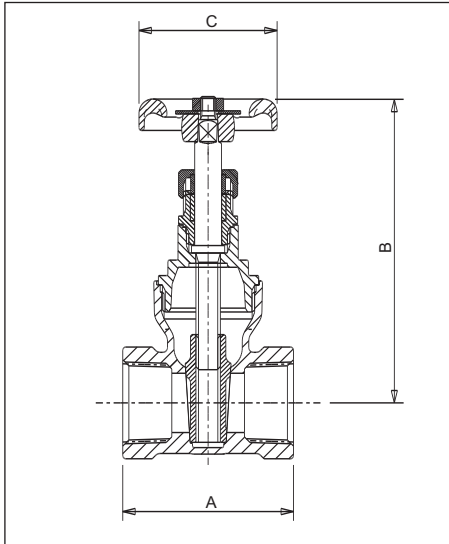
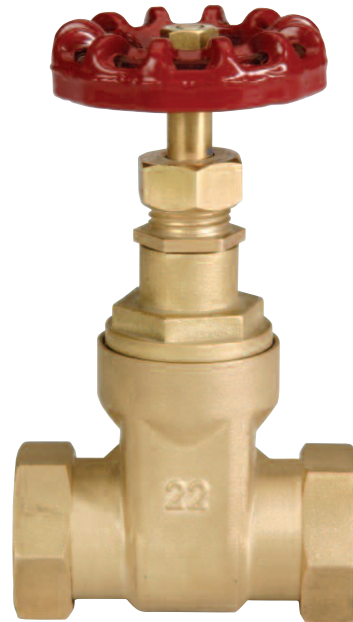
Application: Group 2 liquids (non-hazardous)

Operation: Handwheel

Material: Brass BS EN 12165 – CW614N

End Connection: BSPT, NPT

Note. Threaded valves also available in American Thread (NPT) sizes - Fig No. X1010AT



Dimensions and Weights

Size	Weight (kg)	A(mm)	B(mm)	C(mm)
1/2	0.32	51.6	89	44.5
3/4	0.45	56	99	44.5
1	0.70	64	117	52.4
1 1/4	1.22	72	124	65.0
1 1/2	1.55	75	143	69.9
2	2.45	91	167	77.7

Brass Threaded Quarter Turn Ball Valves

Specification

Fig No. X1020BT

Sizes: 1/2", 3/4", 1", 1 1/4", 1 1/2", 2"

WRAS approved PN16 120°C

Application: Group 2 liquids and gases (non-hazardous)

Operation: Lever

Body Material: Brass BS EN 12165 – CW614N

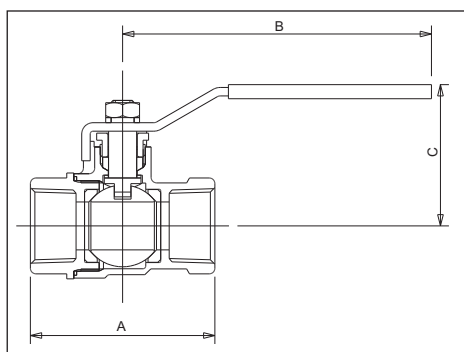


WRAS
APPROVED
PRODUCT

Ball Material: Brass, chrome plated

End Connection: BSPT, NPT

Note. Threaded valves also available in American Thread (NPT) sizes - Fig No. X1020AT



Dimensions and Weights

Size	Weight (kg)	A(mm)	B(mm)	C(mm)
1/2	0.21	55.5	45	95
3/4	0.31	65.5	50	110
1	0.75	79.5	62	139
1 1/4	1.13	96	66	139
1 1/2	1.57	103.5	83	159
2	2.38	126.6	93	159

Brass Compression End Spring Check Valves

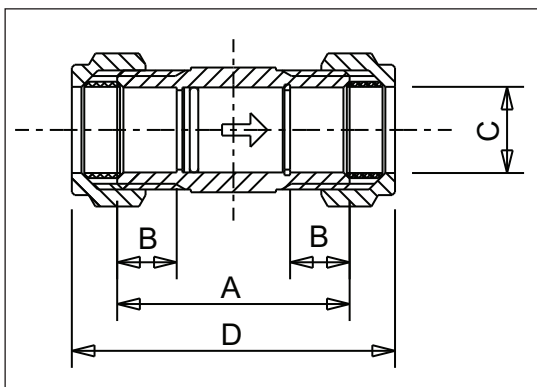
Single Check, Double Check and Double Check Chromium Plated

Specification

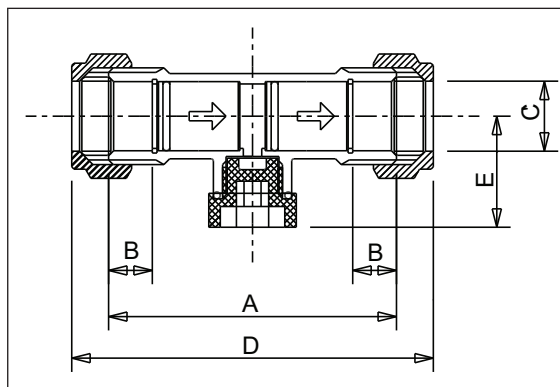
Fig No. X1030C Single Check - 15mm, 22mm
 Fig No. X1040C Double Check - 15mm, 22mm, 28mm
 Fig No. X1041C Double Check chromium plated - 15mm
 Manufactured to BS 6282
 WRAS approved PN16 85°C
 Application: Water
 Body Material: DZR Brass - BS EN 12165 - CW602N
 End Connection: Compression
 Back Flow Prevention Device category:
 Single check - Class 2 as per Water Supply
 Contamination Risks (water fittings) Regulations 1999.
 Double check - Class 3 as per Water Supply
 Contamination Risks (water fittings) Regulations 1999.



X1030C



X1040C & X1041C



Dimensions and Weights

Fig No. X1030C

Size	Weight (kg)	A(mm)	B(mm)	C(mm)	D(mm)
15mm	0.100	40	10.5	15.2	57
22mm	0.170	41.5	10.5	22.2	58.5

Fig No. X1040C

Size	Weight (kg)	A(mm)	B(mm)	C(mm)	D(mm)	E(mm)
15mm	0.116	61.4	9.5	15.2	78.5	24.5
22mm	0.212	74.6	10.5	22.2	91.4	27.5
28mm	0.360	88.6	12.5	28.25	106.3	30.5

Fig No. X1041C

Size	Weight (kg)	A(mm)	B(mm)	C(mm)	D(mm)	E(mm)
15mm	0.116	61.4	9.5	15.2	78.5	24.5

