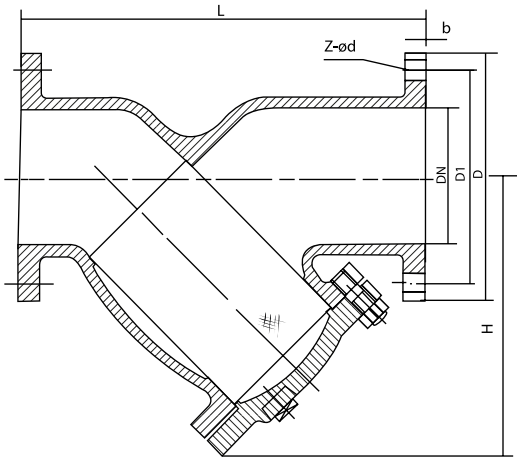




* Reference photo

Body and cover Cast Iron ASTM A126
 Class 125
 Flange dimensions: ANSI B16.1
 Dimensions Face to Face: ANSI B16.10
 Screen: Stainless Steel 304 (Opt. 316)
 Mesh 40
 Hidrostatic Test API 598



MATERIALS

	PART NAME	MATERIAL
1	BODY COVER	ASTM A126B
2	SCREEN	ASTM A167 304
3	BLOWOFF PLUG	ASTM A197
4	GASKET	GRAPHITE WITH SOFT STEEL
5	BOLT/NUT	ASTM A284
6	STEM NUT	ASTM B62

Speed Logística y Servicios S.A.C.
 Importador y distribuidor autorizado de
 válvulas REX para Perú y para su exportación.

DIMENSIONS (mm)

SIZE	L	D	D1	b	Z-Ød	H	WEIGHT (Kg)
2"	225.4	152	121	16	4-19	144	8.00
2 1/2"	273	178	140	17.5	4-19	176	11.00
3"	292.1	191	152	19	4-19	195	13.00
4"	352.4	229	191	24	8-19	246	18.00
5"	390.5	254	216	24	8-22	300	26.00
6"	469.9	279	241	25	8-22	320.7	37.00
8"	542.9	343	298	29	8-22	397.5	56.00
10"	660.4	406	362	30	12-25	483	82.00
12"	762	483	432	32	12-25	560	118.00

PRESSURE TEMPERATURE RATINGS (PSI)

Temperature °F/°C	Class 125	
	2" to 14"	14" to 24"
(-) 20 °F / (-) 29 °C to (+) 150 °F / (+) 66 °C	200	150
200 °F / 93 °C	190	135
225 °F / 107 °C	180	130
250 °F / 121 °C	175	125
275 °F / 135 °C	170	120
300 °F / 149 °C	165	110
325 °F / 163 °C	155	105
350 °F / 177 °C	150	100
375 °F / 191 °C	145	95
400 °F / 204 °C	140	90
425 °F / 218 °C	130	80
450 °F / 232 °C	125	75

* Note : Dimensions, design and materials are subject to change without notice. Approximate weights.

MAC EDITIONS - MMXXIII

