



\* Reference photo

Body of Ductile Iron ASTM A536  
 Designed in accordance with MSS SP 67 and API 609  
 Flange Connections: ANSI B16.5 RF class 150  
 Tested according Section 5 AWWA c-504-87  
 Mounting actuator ISO 5211 adaptable  
 Disk stainless steel CF8M (316)  
 Seat elastomeric: BUNA-N  
 Maximum working pressure: 200 PSIG size 2" - 12" 150 PSIG size 14" - 24"  
 Maximum temperature operation: BUNA-N -12°C (10°F) to 82°C (180°F)  
 Memoryseal seating technology  
 Operation Lever or Gearbox  
 Square shaft for mounting Lever or Gearbox  
 Hidrostatic test API 598  
 NOTE: Soft seated valves are not recommended for steam service, hot and abrasive fluids.

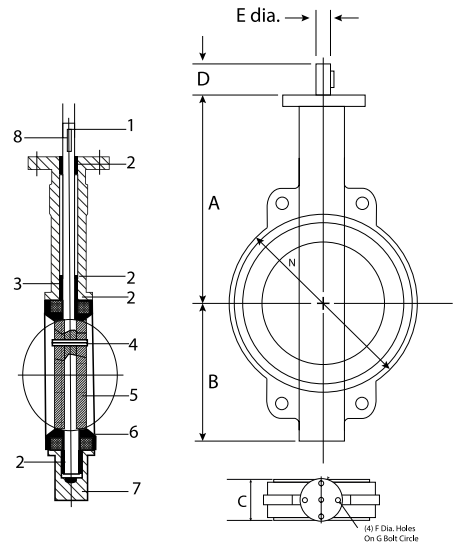
**MATERIALS**

	PART NAME	MATERIAL
1	STEM	SS410
2	BUSHING	PTFE
3	O-RING	BUNA-N
4	PIN	SS316
5	DISK	CF8M
6	SEAT	BUNA-N
7	BODY	DUCTILE IRON A126
8	KEY	CARBON STEEL

**DIMENSIONS (mm)**

SIZE	A	B	C	D	E	F	G	N	LEVER (Kg)	GEARBOX (Kg)
2"	162	83	43	31.8	12.7	6.7	57.2	102	2.66	7.56
2 1/2"	175	95	46	31.8	12.7	6.7	57.2	121	3.16	7.70
3"	181	102	46	31.8	12.7	6.7	57.2	130	3.68	8.25
4"	200	124	52	31.8	15.9	10.3	69.8	171	5.65	10.25
5"	213	137	56	31.8	19.0	10.3	69.8	197	7.26	12.20
6"	225	149	56	31.8	19.0	10.3	69.8	219	8.30	12.95
8"	260	181	60	44.4	22.2	14.3	88.9	268	13.67	22.68
10"	292	210	68	44.4	28.6	14.3	88.9	332	20.20	32.00
12"	337	248	78	44.4	31.8	14.3	108.0	406	37.08	45
14"	368	267	80	45	31.8	14.3	108.0	476	-	57
16"	400	298	90	51	33.34	20.6	158.75	539	-	96
18"	422	318	109	51	38	20.6	158.75	577	-	116
20"	479	349	135	64	41.15	20.6	158.75	635	-	161
24"	562	410	156	70	50.65	22	215.9	749	-	257

\* Note : Dimensions, design and materials are subject to change without notice. Approximate weights.



**Speed Logística y Servicios S.A.C.**  
 Importador y distribuidor autorizado de válvulas REX para Perú y para su exportación.

MAC EDITIONS - MMXXIII

