



* Reference photo

MATERIALS

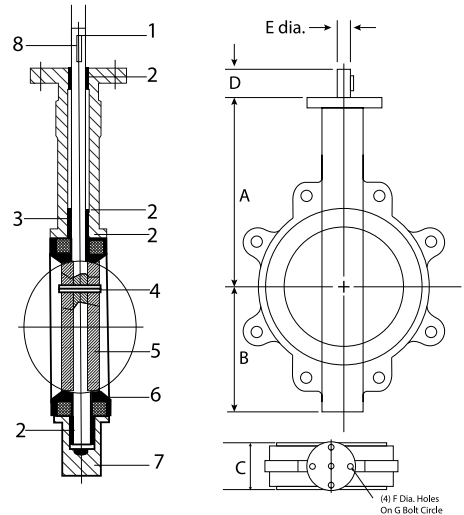
	PART NAME	MATERIAL
1	STEM	SS410
2	BUSHING	PTFE
3	O-RING	BUNA-N
4	PIN	SS316
5	DISK	CF8M
6	SEAT	BUNA-N
7	BODY	DUCTILE IRON A536
8	KEY	CARBON STEEL

DIMENSIONS (mm)

SIZE	A	B	C	D	E	F	G	Nº HOLES ANSI	LEVER (Kg)	GEARBOX (Kg)
2"	162	76	45	31.8	12.7	6.7	57.2	4	4.200	9
2 1/2"	175	89	48	31.8	12.7	6.7	57.2	4	4.500	11
3"	181	95	49	31.8	12.7	6.7	57.2	4	4.874	11.5
4"	200	114	55	31.8	15.9	10.3	69.8	8	7.678	13
5"	213	127	58	31.8	19.0	10.3	69.8	8	9.100	14.5
6"	225	140	59	31.8	19.0	10.3	69.8	8	12.618	16
8"	260	177	64	44.4	22.2	14.3	88.9	8	17.129	27
10"	292	203	70	44.4	28.6	14.3	88.9	12	28.400	38
12"	337	242	80	44.4	31.8	14.3	107.95	12	50.353	59
14"	368	267	80	45	31.8	14.3	107.95	12	-	70
16"	400	298	90	51	33.34	20.6	158.75	16	-	112
18"	422	318	109	51	38	20.6	158.75	16	-	134
20"	479	349	135	64	41.15	20.6	158.75	20	-	222
24"	562	410	156	70	50.65	22	215.9	20	-	310

* Note : Dimensions, design and materials are subject to change without notice. Approximate weights.

Body of Ductile Iron ASTM A536
 Designed in accordance with MSS SP 67 and API 609
 Flange Connections: ANSI B16.5 RF class 150
 Tested according Section 5 AWWA c-504-87
 Mounting actuator ISO 5211 adaptable
 Disk stainless steel CF8M (316)
 Seat elastomeric: BUNA-N
 Maximum working pressure: 200 PSIG size 2" - 12" 150 PSIG size 14" - 24"
 Maximum temperature operation: BUNA-N -12°C (10°F) to 82°C (180°F)
 Memoryseal seating technology
 Operation Lever or Gearbox
 Square shaft for mounting Lever or Gearbox
 Hidrostatic test API 598
 NOTE: Soft seated valves are not recommended for steam service, hot and abrasive fluids.



Speed Logística y Servicios S.A.C.
 Importador y distribuidor autorizado de válvulas REX para Perú y para su exportación.

MAC EDITIONS - MMXXIII

