

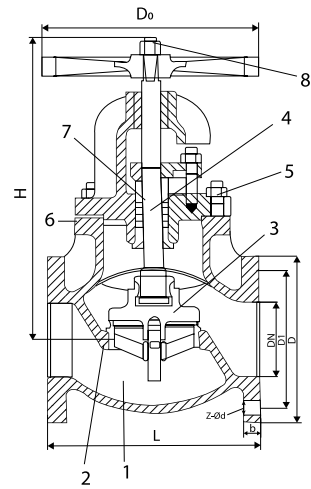


* Reference photo

Body and Bonnet Cast Iron ASTM A126
 Bolted Bonnet. Rising Stem.
 Design, Manufacture, Test in accordance with MSS-SP-85
 Flange dimensions: ANSI/ASME B16.1
 Face to Face dimensions: ASME B16.10
 Hydrostatic Testing API 598
 * Certification pending to norm MSS-SP-85 from Manufacturers Standardization Society (MSS)

MATERIALS

	PART NAME	MATERIAL
1	BODY BONNET	ASTM A126B
2	SEAT RING	ASTM B62
3	DISK	ASTM A126B+ ASTM B62
4	STEM	SS 410
5	BOLT/NUT	ASTM A307-B
6	GASKET	GRAPHITE WITH SOFT STEEL
7	PACKING	GRAPHITE
8	STEM NUT	ASTM B62



Speed Logística y Servicios S.A.C.
 Importador y distribuidor autorizado de
 válvulas REX para Perú y para su exportación.

DIMENSIONS (mm)

SIZE	L	D	D1	b	Z-Ød	D0	H	WEIGHT (Kg)
2"	203	152	121	16	4-19	200	298	16
2 1/2"	216	176	140	18	4-19	200	314	23
3"	241	191	152	19	4-19	254	359	28
4"	292	229	191	24	8-19	300	415	43
5"	330	254	216	24	8-22	350	446	58
6"	336	279	241	25.4	8-22	400	485	72
8"	495	343	298	29	8-22	450	576	143
10"	622	406	362	30.2	12-25	505	652	230
12"	699	483	432	32	12-25	610	734	298

PRESSURE TEMPERATURE RATINGS (PSI)

Temperature °F/°C	Class 125
(-) 20 °F / (-) 29 °C to (+) 150 °F / (+) 66 °C	200
200 °F / 93 °C	190
225 °F / 107 °C	180
250 °F / 121 °C	175
275 °F / 135 °C	170
300 °F / 149 °C	165
325 °F / 163 °C	155
350 °F / 177 °C	150
375 °F / 191 °C	145
400 °F / 204 °C	140
425 °F / 218 °C	130
450 °F / 232 °C	125

* Note : Dimensions, design and materials are subject to change without notice. Approximate weights.

