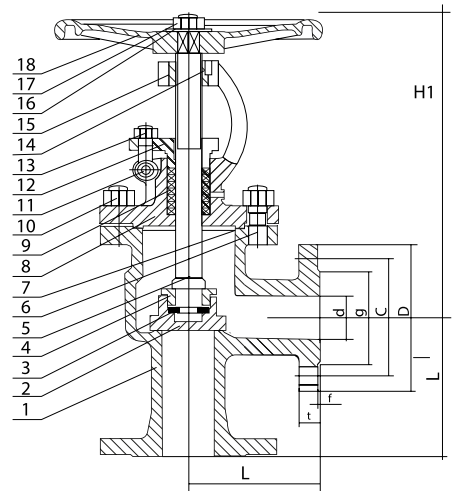




\* Reference photo

Body and Bonnet Cast Steel  
 ASTM A216 WCB  
 Bolted Bonnet. Rising Stem OS&Y.  
 Norm Steel Valves: ANSI/ASME B16.34  
 Flange dimensions: ANSI B16.5 RF  
 Face to Face dimensions: ASME B16.10  
 Hydrostatic Testing API 598



H1: CLOSED  
 H2: OPEN

**Speed Logística y Servicios S.A.C.**  
 Importador y distribuidor autorizado de  
 válvulas REX para Perú y para su exportación.

**MATERIALS**

	PART NAME	MATERIAL
1	BODY	A216 WCB
2	DISK	A216 WCB + 13% Cr
3	SPLIT COLLAR	A276 420
4	LOCK NUT	A193 GR. B7
5	STEM	SS 410
6	BOLT	A193 B7
7	GASKET	SS304+GRAPHITE
8	BONNET	A216 WCB
9	PACKING	GRAPHITE
10	NUT	A194 2H
11	PIN	A29 1035
12	GLAND FLANGE	A216 WCB
13	NUT	A194 2H
14	SCREW	A29 1035
15	STEM NUT	MALLEABLE
16	HANDWHEEL	C.I. A197

**DIMENSIONS (mm)**

SIZE	d	L	D	C	g	t	f	H1	WEIGHT (Kg)
2"	50.8	114.3	152.4	120.65	92.20	15.88	1.52	304.8	16
2 1/2"	63.5	152.4	177.8	139.70	104.90	17.50	1.52	330.2	24
3"	76.2	165.1	190.5	152.40	127.00	19.05	1.52	355.6	30
4"	101.6	190.5	228.6	190.50	225.30	23.80	1.52	406.4	44
6"	152.4	241.3	279.4	241.30	215.90	25.40	1.52	533.4	91
8"	203.2	165.1	342.9	298.45	269.75	28.58	1.52	685.8	145
10"	254.0	190.5	406.4	361.95	323.85	30.15	1.52	736.6	190
12"	304.8	241.3	482.6	431.80	381.00	31.75	1.52	762.0	225

**PRESSURE TEMPERATURE RATINGS (PSI)**

Temperature °F/°C	Class 150
(-) 20 °F / (-) 29 °C to (+) 100 °F / (+) 38 °C	285
200 °F / 93 °C	260
300 °F / 149 °C	230
400 °F / 204 °C	200
500 °F / 260 °C	170
600 °F / 316 °C	140
650 °F / 343 °C	125
700 °F / 371 °C	110
750 °F / 399 °C	95
800 °F / 427 °C	80
850 °F / 454 °C	65
900 °F / 482 °C	50

\* Note : Dimensions, design and materials are subject to change without notice. Approximate weights.

MAC EDITIONS - MMXXIII

