

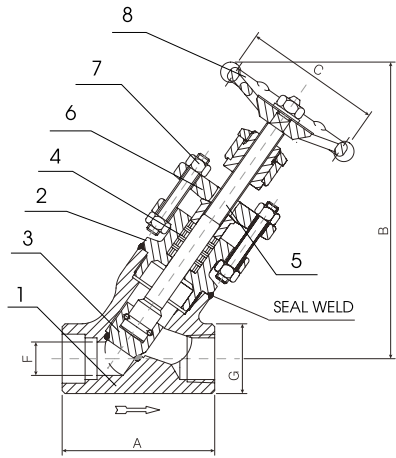


\* Reference photo

Body and Bonnet Forged Steel A105  
 Bolted Bonnet. Rising Stem OS&Y.  
 Design, Manufacture, Test in accordance with API 602  
 Norm to steel valves ASME B16.34  
 Threaded ends NPT to ANSI B1.20.1  
 Face to Face dimensions: ASME B16.10  
 Hydrostatic Testing API 598  
 \* Certification pending to norm API 602 from American Petroleum Institute

### MATERIALS

	PART NAME	MATERIAL
1	BODY	ASTM A105
2	BONNET	ASTM A105
3	DISK	ASTM A105 + 13% Cr
4	PACKING	FLEXIBLE GRAPHITE
5	STEM	SS 410
6	GLAND	ASTM A276 420
7	NUTS AND BOLTS	CARBON STEEL
8	HAND WHEEL	MALLEABLE IRON / CAST IRON



**Speed Logística y Servicios S.A.C.**  
 Importador y distribuidor autorizado de  
 válvulas REX para Perú y para su exportación.

### DIMENSIONS (mm)

SIZE	A	B (OPEN)	C	F	G	WEIGHT (Kg)
1/4"	85	174	88	7	38	2
3/8"	85	174	88	9	38	2
1/2"	85	174	88	13	38	2
3/4"	105	215	97	17.5	48	3.3
1	120	255	138	22.5	56	5
1 1/4"	165	255	172	35	78	11
1 1/2"	165	318	172	35	78	11
2"	190	375	172	45	85	15

### PRESSURE TEMPERATURE RATINGS (PSI)

Temperature °F/°C	Class 800
(-) 20 °F / (-) 29 °C to (+) 100 °F / (+) 38 °C	1975
200 °F / 93 °C	1800
300 °F / 149 °C	1750
400 °F / 204 °C	1690
500 °F / 260 °C	1595
600 °F / 316 °C	1460
650 °F / 343 °C	1430
700 °F / 371 °C	1420
750 °F / 399 °C	1345
800 °F / 427 °C	1100
850 °F / 454 °C	715

\* Note : Dimensions, design and materials are subject to change without notice. Approximate weights.

MAC EDITIONS - MMXXIII

