



\* Reference photo

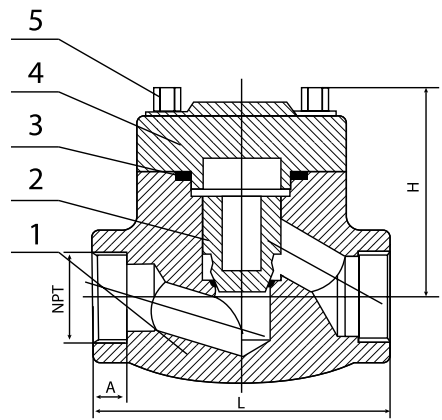
Body and Bonnet Forged Steel A105  
 Bolted Bonnet  
 Design, Manufacture, Test in accordance with API 602  
 Norm to steel valves ASME B16.34  
 Threaded ends NPT to ANSI B1.20.1  
 Face to Face dimensions: ASME B16.10  
 Hydrostatic Testing API 598

### MATERIALS

	PART NAME	MATERIAL
1	BODY / SEAT	ASTM A193 B7
2	DISK PISTON	ASTM A105 + 13% Cr
3	PACKING	304+ FLEXIBLE GRAPHITE
4	CAP BONNET	ASTM A276 410+HF
5	BONETE CAP BOLT	ASTM A105

### DIMENSIONS (mm)

SIZE	L	NPT	A	H	WEIGHT (Kg)
1/2"	79	1/2	13.5	61	1.555
3/4"	92	3/4	14	85	1.630
1"	111	1	17.5	79	2.750
1-1/4"	120	1-1/4	18	84	3.840
1-1/2"	152	1-1/2	18.5	103	5.500
2"	172	2	19	118	9.540



**Speed Logística y Servicios S.A.C.**  
 Importador y distribuidor autorizado de válvulas REX para Perú y para su exportación.

### PRESSURE TEMPERATURE RATINGS (PSI)

Temperature °F/°C	Class 800
(-) 20 °F / (-) 29 °C to (+) 100 °F / (+) 38 °C	1975
200 °F / 93 °C	1800
300 °F / 149 °C	1750
400 °F / 204 °C	1690
500 °F / 260 °C	1595
600 °F / 316 °C	1460
650 °F / 343 °C	1430
700 °F / 371 °C	1420
750 °F / 399 °C	1345
800 °F / 427 °C	1100
850 °F / 454 °C	715

\* Note : Dimensions, design and materials are subject to change without notice. Approximate weights.

MAC EDITIONS - MMXXIII

