

DESIGN FEATURES:

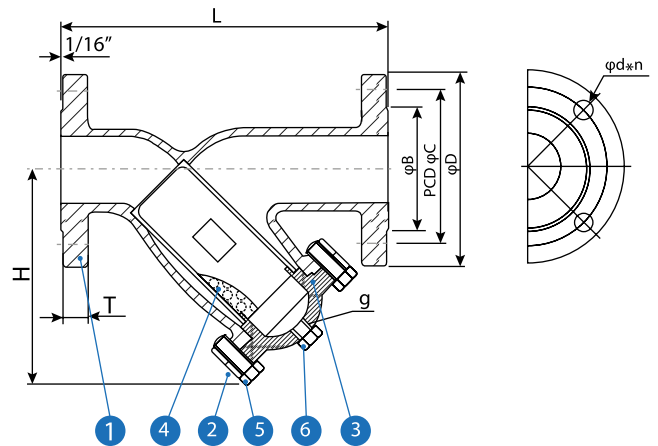
Body: ASTM A351 Gr. CF8M (316)
Screen: SS 316
Gasket: PTFE
Flange Dimensions: ANSI/ASME B16.5 150#
Mesh 40
Test standard: API 598



* Reference photo

MATERIAL LIST

	PART NAME	MATERIAL	QTY.
1	BODY	ASTM A351 Gr. CF8M	1
2	CAP	ASTM A351 Gr. CF8M	1
3	GASKET	PTFE	1
4	SCREEN	SS316	1
5	BOLT	ASTM A193 B8	4-8
6	PLUG	SS316	1

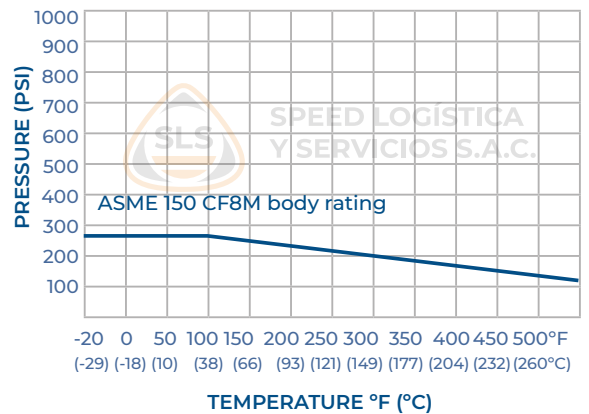


Speed Logística y Servicios S.A.C.
Importador y distribuidor
autorizado de válvulas SUN en
territorio latinoamericano.

DIMENSIONS (mm)

SIZE	B	C	D	d	H	L	n	T	G	CV Factor	WEIGHT (Kg)
2"	92	120.5	152	19	146	218	4	15.9	1/2"	500	13
2 1/2"	105	139.5	178	19	180	261	4	17.5	3/4"	850	23
3"	127	152.5	190	19	200	295	4	19.1	1"	1150	25
4"	157	190.5	229	19	240	361	8	23.9	1 1/2"	2120	33
6"	216	241.5	279	22	340	469	8	25.4	2"	5100	76
8"	-	-	343	-	397	495	8	-	2"	-	90
10"	-	-	406	-	470	622	12	-	2"	-	140
12"	-	-	483	-	566	718	12	-	2"	-	250

PRESSURE TEMPERATURE RATINGS



MAC - MMXXI

* Note : Dimensions, design and materials are subject to change without notice.