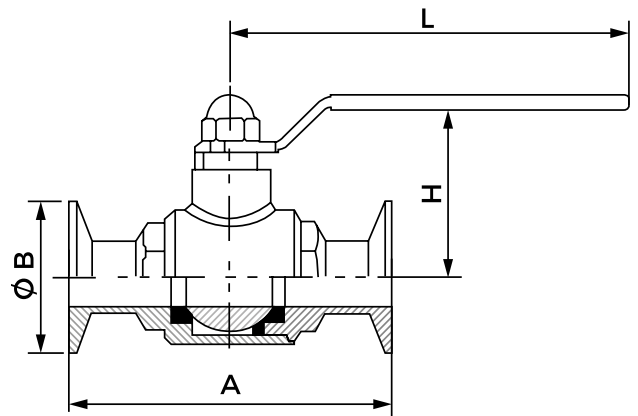


**DESIGN FEATURES:**

Body: Stainless Steel 316  
All wetted parts polished  
Seats: Silicone White  
Max. Temp.: 120°C  
Max. Pressure: 145 PSI  
For use in water, process liquids and gas, applications in food, medical and pharmaceutical industries.  
Test standard: API 598

\* Reference photo

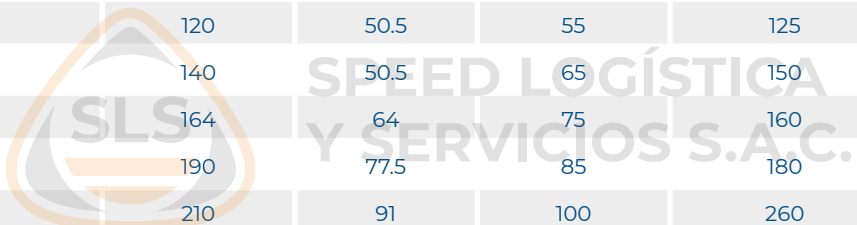


Speed Logística y Servicios S.A.C.  
Importador y distribuidor  
autorizado de válvulas SUN en  
territorio latinoamericano.

**DIMENSIONS (mm)**

SIZE	D	R	P	G	WEIGHT (Kg)
3/4"	95	50.5	55	125	0.36
1"	120	50.5	55	125	0.74
1 1/2"	140	50.5	65	150	1.34
2"	164	64	75	160	1.90
2 1/2"	190	77.5	85	180	3.31
3"	210	91	100	260	4.71
4"	260	119	120	350	10.43

MAC - MMXXI



\* Note : Dimensions, design and materials are subject to change without notice.