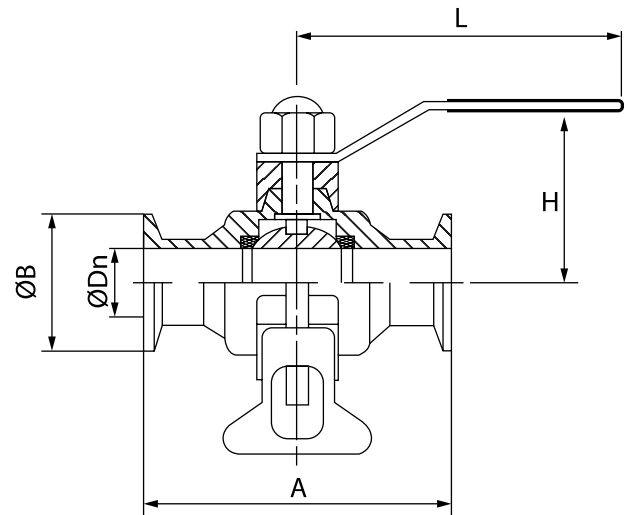


DESIGN FEATURES:

Body: Stainless Steel 316
 All wetted parts polished
 Seats: Silicone White
 Max. Temp.: 120°C
 Max. Pressure: 145 PSI
 Easily disassemble without special tools
 Small operation torque
 Valve body can be replaced in any connections. And valve length will not change.
 Test standard: API 598

* Reference photo

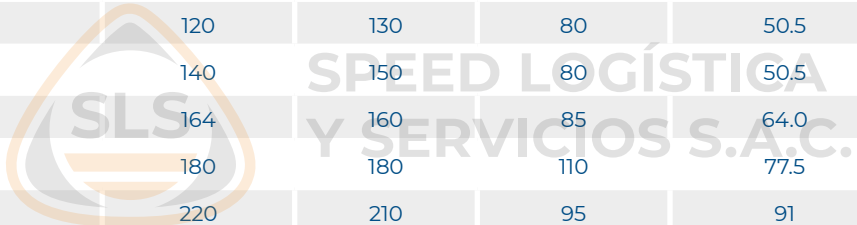


Speed Logística y Servicios S.A.C.
 Importador y distribuidor
 autorizado de válvulas SUN en
 territorio latinoamericano.

DIMENSIONS (mm)

SIZE	A	L	H	B	WEIGHT (Kg)
1"	110	105	70	50.5	1.13
1 1/4"	120	130	80	50.5	1.45
1 1/2"	140	150	80	50.5	1.77
2"	164	160	85	64.0	2.7
2 1/2"	180	180	110	77.5	4.40
3"	220	210	95	91	6.28
4"	320	240	118	119	13.91

MAC - MMXXI



* Note : Dimensions, design and materials are subject to change without notice.