

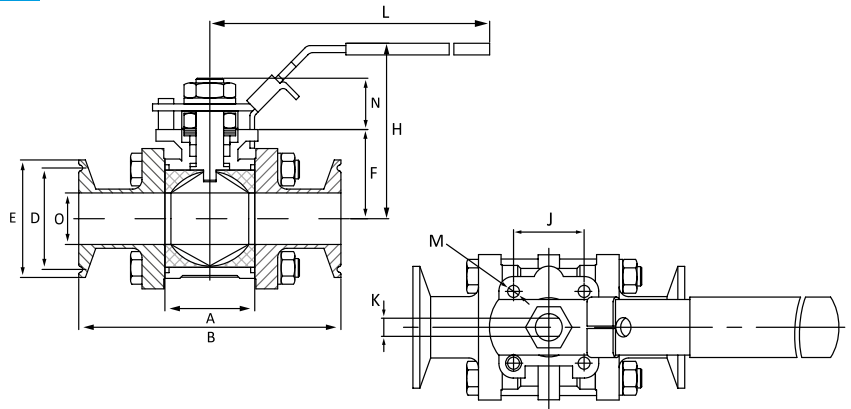
DESIGN FEATURES:

Body: Stainless Steel 316
All wetted parts polished
Seats: Silicone White
Max. Temp.: 120°C
1000 CWP (1/2" - 2")
600 CWP (2 1/2" - 4")
Blow out proof stem
3-Piece design
ISO 5211 mounting pad
Lockable lever
Test standard: API 598

* Reference photo



Speed Logística y Servicios S.A.C.
Importador y distribuidor
autorizado de válvulas SUN en
territorio latinoamericano.



DIMENSIONS (mm)

SIZE	A	B	D	E	F	H	J	K	L	M	N	O	WEIGHT (Kg)
1/2"	24.4	88.9	20.1	24.9	29.0	62.0	36.1 (F03)	5.6	125.0	M5x0.8	16.5	9.4	0.54
3/4"	26.7	101.6	20.1	24.9	30.5	63.5	36.1 (F03)	5.6	125.0	M5x0.8	16.5	15.7	0.91
1"	39.1	114.3	43.4	50.8	38.1	75.2	41.9 (F04)	7.6	145.0	M5x0.8	21.3	22.1	1.36
1 1/2"	54.1	139.7	43.4	50.8	48.5	92.5	50.0 (F05)	8.6	190.0	M6x1.0	29.7	34.8	2.72
2"	67.3	158.8	56.4	64.0	56.9	102.9	50.0 (F05)	8.6	190.0	M6x1.0	30.2	47.5	4.17
2 1/2"	81.3	165.1	70.6	77.5	84.3	149.1	70.1 (F07)	14.0	249.9	M8x1.25	37.3	60.2	7.80
3"	100.8	266.7	83.3	90.7	96.0	161.8	70.1 (F07)	14.0	249.9	M8x1.25	37.3	72.9	13.15
4"	120.4	317.5	110.5	118.9	116.3	186.9	70.1 (F10)	19.1	287.8	M10x1.5	42.2	97.3	18.59

* Note : Dimensions, design and materials are subject to change without notice.

MAC - MMXXI

