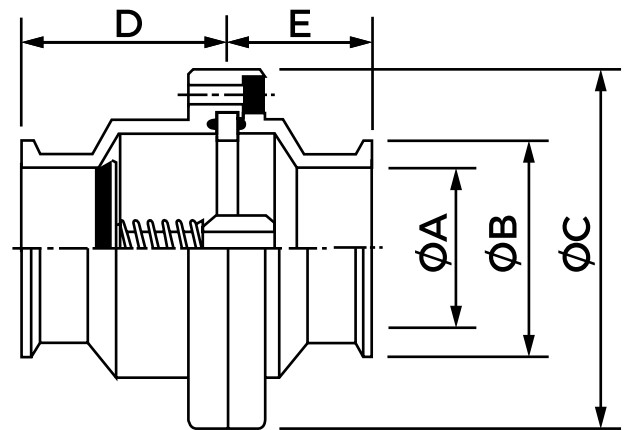


DESIGN FEATURES:

Body: Stainless Steel 304
 All wetted parts polished
 Seats: EPDM, Silicone White
 Max. Temp.: 120°C (Silicone) / 90°C (EPDM)
 Max. Pressure: 145 PSI
 Test standard: API 598
 For use in water, process liquids and gas, applications in food, medical and pharmaceutical industries.

* Reference photo



Speed Logística y Servicios S.A.C.
 Importador y distribuidor
 autorizado de válvulas SUN en
 territorio latinoamericano.

DIMENSIONS (mm)

SIZE	A	B	C	D	E	WEIGHT (Kg)
1"	22.4	25.4	90	47	31	0.810
1 1/2"	35.1	38.1	90	49	32	0.985
2"	47.8	50.8	106	58	35	1.465
2 1/2"	59.5	63.5	123	58	35	1.875
3"	72.2	76.2	136	62	36	2.390
4"	97.8	101.6	165	62	36	4.425

* Note : Dimensions, design and materials are subject to change without notice.

MAC - MMXXI