

* Reference photo

DESIGN FEATURES:

Pressure Rating: PN16 PSIG
 Steam Rating: 150 PSIG WSP
 Investment Cast Body & Cap
 Stainless Steel Handle With Vinyl Grip
 Locking System
 Threaded End NPT ANSI/ASME B1.20.1
 Hose connection
 Test standard: API 598

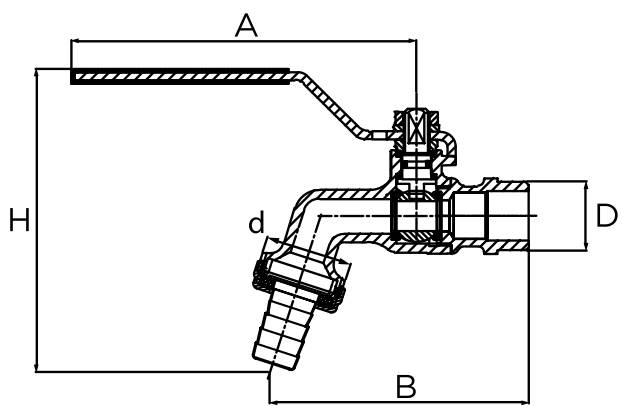
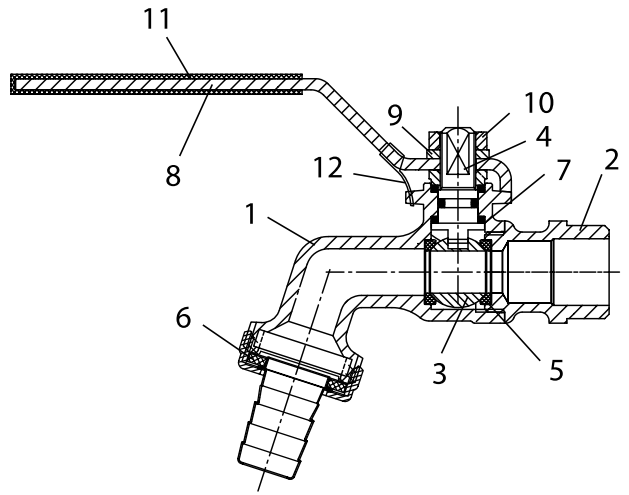


MATERIAL LIST

	PART NAME	MATERIAL	QTY.
1	BODY	316	1
2	CAP	316	1
3	BALL	316	1
4	STEM	316	1
5	SEAT	PTFE	2
6	GASKET	PTFE	1
7	THRUST WASHER	PTFE	1
8	HANDLE	STAINLESS STEEL	1
9	HANDLE WASHER	SS304	1
10	HANDLE NUT	SS304	1
11	HANDLE SLEEVE	VINYL GRIP	1
12	LOCKING PLATE	STAINLESS STEEL	1

DIMENSIONS (mm)

SIZE	D	d	A	B	H	WEIGHT (Kg)
1/2"	1/2"	1/2"	96	93	93	0.210
3/4"	3/4"	1/2"	84	95	95	0.270
1"	1"	1/2"	98	119	112	0.370



Speed Logística y Servicios S.A.C. Importador y distribuidor autorizado de válvulas SUN en territorio latinoamericano.

* Note : Dimensions, design and materials are subject to change without notice.

MAC - MMXXI

