



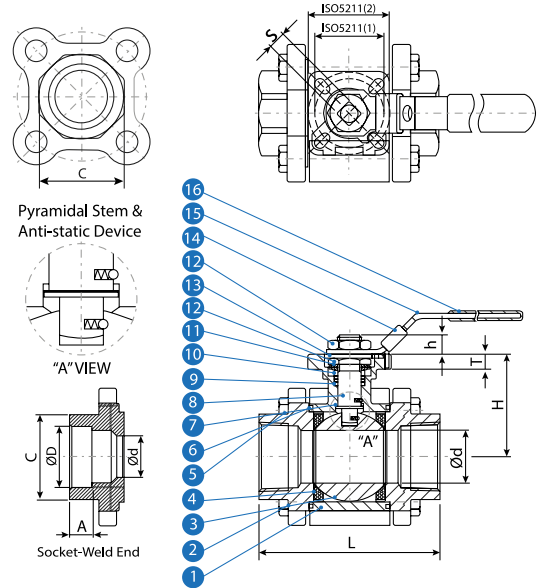
\* Reference photo

**DESIGN FEATURES:**

Working pressure:  
1/2"~1" 2000 PSIG - 1 1/4"~2" 1500 PSIG  
Blow-out-proof stem  
Adjustable stem packing  
Handle with locking system  
with ISO 5211 direct mounting of actuators  
Threaded end NPT ANSI/ASME B1.20.1  
ANSI/ASME B16.34 full compliance  
Test standard: API 598

**MATERIAL LIST**

	PART NAME	MATERIAL	QTY.
1	BODY	ASTM A351 Gr. CF8M	1
2	CAP	ASTM A351 Gr. CF8M	2
3	BALL	ASTM A351 Gr. CF8M	1
4	SEAT	POLYFILL	2
5	BOLT	ASTM A193 Gr. B8	8
6	GASKET	PTFE	2
7	THRUST WASHER	PTFE	1
8	STEM	ASTM A276 Gr. 304	1
9	PACKING	PTFE	1
10	RING	SS304	1
11	BELLEVEILLE WASHER	SS410	2
12	HANDLE NUT	SS304	2
13	STOPPER	SS304	1
14	LOCKING PLATE	STAINLESS STEEL	1
15	HANDLE	STAINLESS STEEL	1
16	HANDLE SLEEVE	VINYL GRIP	1

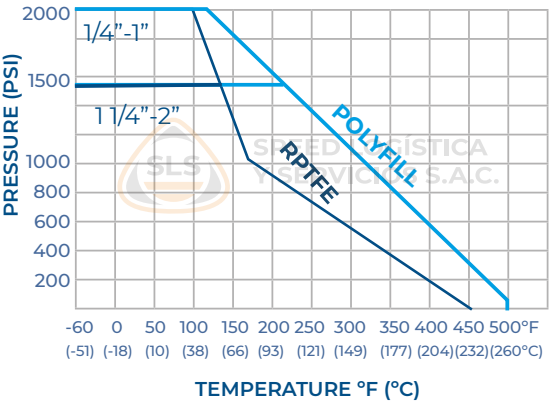


**DIMENSIONS (mm)**

SIZE	A	C	D	d	L	H1	h	S	T	ISO 5211	CV FACTOR	WEIGHT (Kg)
1/2"	10	29.1	21.7	15.0	73.5	42.1	9.0	9	9	F03/F04	26	0.78
3/4"	13	36.7	27.1	20.0	83.0	46.5	9.0	9	9	F03/F04	55	0.98
1"	13	46.0	33.8	25.4	99.0	59.0	11.5	11	9	F04/F05	110	1.43
1 1/4"	13	51.9	42.6	32.0	114.0	62.5	11.5	11	9	F04/F05	180	2.17
1 1/2"	13	59.3	48.7	40.0	128.0	79.0	16.0	14	13	F05/F07	270	3.28
2"	16	72.6	61.2	50.8	152.0	86.9	16.0	14	13	F07/F07	500	4.64

Speed Logística y Servicios S.A.C. Importador y distribuidor autorizado de válvulas SUN en territorio latinoamericano.

**PRESSURE TEMPERATURE RATINGS**



MAC - MMXXI

\* Note : Dimensions, design and materials are subject to change without notice.