

DESIGN FEATURES:

Pressure rating: 200 PSIG (non-shock)
 Steam rating: 150 PSI WSP
 Investment cast body & cap
 Screwed cap
 Swing type disc
 Threaded end NPT ANSI/ASME B1.20.1
 Test standard: API 598

* Reference photo

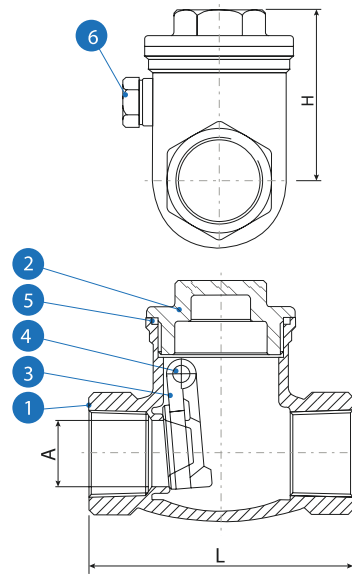


MATERIAL LIST

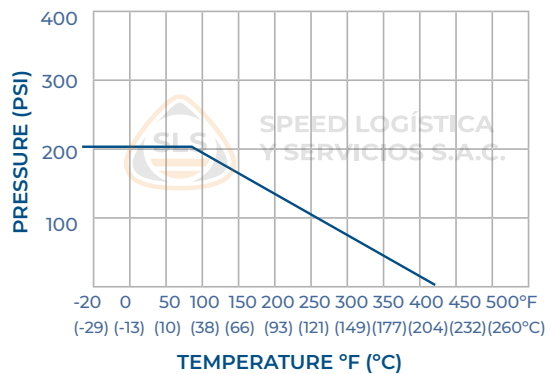
	PART NAME	MATERIAL	QTY.
1	BODY	ASTM A351 Gr. CF8	1
2	CAP	ASTM A351 Gr. CF8	1
3	DISC	ASTM A351 Gr. CF8	1
4	HINGE PIN	SS304	1
5	GASKET	PTFE	1
6	PLUG	SS304	1

DIMENSIONS (mm)

SIZE	A	L	H	CV FACTOR	WEIGHT (Kg)
1/2"	15	66.0	46	30	0.30
3/4"	20	81.0	54	37	0.52
1"	25	91.0	60	54	0.63
1 1/4"	32	106.5	72	103	1.04
1 1/2"	40	121.0	75	143	1.52
2"	50	142.0	82	360	2.10
2 1/2"	65	159.0	90	440	3.80
3"	80	190.0	104	520	5.90
4"	100	235	133.3	-	16.80



PRESSURE TEMPERATURE RATINGS



Speed Logística y Servicios S.A.C. Importador y distribuidor autorizado de válvulas SUN en territorio latinoamericano.

* Note : Dimensions, design and materials are subject to change without notice.

MAC - MMXXI