

DESIGN FEATURES:

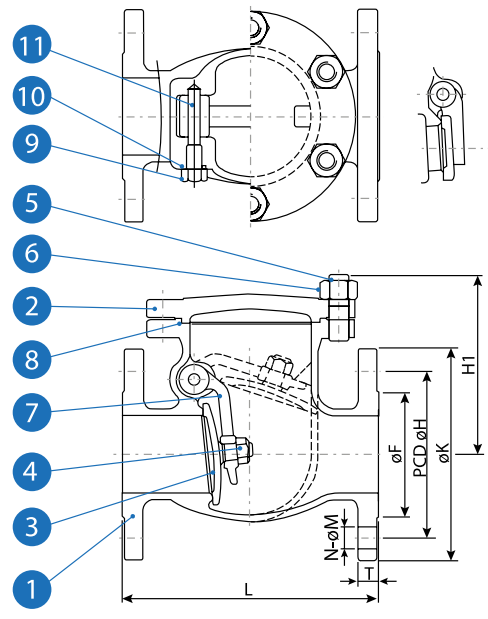
End type: Flange end
Face to face: ANSI/ASME B16.10
Flange dimensions: ANSI/ASME B16.5 #150
Wall thickness: ANSI/ASME B16.34
Pressure/temperature ratings in
Accordance with ASME/ASTM B16.34
Test standard: API 598

* Reference photo



MATERIAL LIST

	PART NAME	MATERIAL	QTY.
1	BODY	ASTM A351 Gr. CF8M	1
2	COVER	ASTM A351 Gr. CF8M	1
3	DISC	ASTM A351 Gr. CF8M	1
4	DISC NUT	ASTM A194 Gr. 8	1
5	COVER BOLT	ASTM A193 Gr. B8	4-12
6	COVER NUT	ASTM A194 Gr.8	4-12
7	ARM	ASTM A351 Gr. CF8M	1
8	GASKET	PTFE	1
9	PLUG	SS316	1
10	PLUG GASKET	SS304	1
11	HINGE PIN	SS316	1



Speed Logística y Servicios S.A.C. Importador y distribuidor autorizado de válvulas SUN en territorio latinoamericano.

DIMENSIONS (mm)

SIZE	L	HI	K	H	F	T	M	N	CV FACTOR	WEIGHT (Kg)
2"	203	123	152	120.5	92	15.9	19.0	4	70	17
2 1/2"	216	134	178	139.5	105	17.5	19.0	4	120	21
3"	241	148	190	152.5	127	19.1	19.0	4	170	29
4"	292	158	229	190.5	157	23.9	19.0	8	250	42
5"	330	192	254	216.0	186	23.9	22.3	8	470	59
6"	356	223	279	241.5	216	25.4	22.3	8	1100	68
8"	495	283	343	298.5	270	28.6	22.3	8	2000	118
10"	622	318	406	362.5	324	30.2	25.4	12	3300	197
12"	698	357	483	432.0	381	31.8	25.4	12	4900	302

* Note : Dimensions, design and materials are subject to change without notice.

MAC - MMXXI

