

DESIGN FEATURES:

Temperature rating @ -28°c a 38°c
Workin Pressure PN16
Design ANSI/DIN
Versatile design
Test standard: API 598

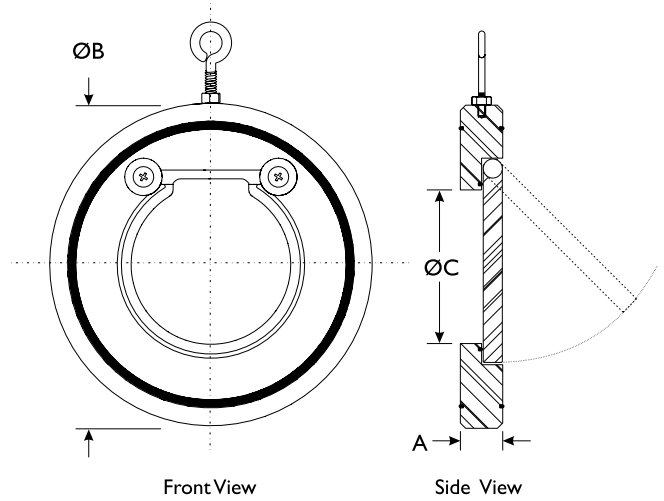
* Reference photo



MATERIAL LIST

	PART NAME	MATERIAL
1	BODY	ASTM A240 Gr. CF8M
2	DISC	ASTM A351 Gr. CF8M
3	BODY SEAL	RPTFE

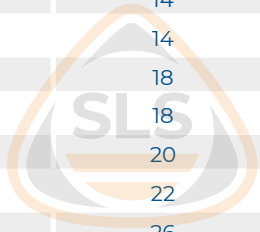
Speed Logística y Servicios S.A.C. Importador y distribuidor autorizado de válvulas SUN en territorio latinoamericano.



DIMENSIONS (mm)

SIZE	A	B	C	WEIGHT (Kg)
2"	14	105	32	1.1
2 1/2"	14	124	40	1.6
3"	14	137	54	2.7
4"	18	175	70	3.2
5"	18	197	92	3.9
6"	20	222	112	4.5
8"	22	280	154	10
10"	26	340	200	15.2
12"	32	410	240	26.3

MAC - MMXXI



SPEED LOGÍSTICA Y SERVICIOS S.A.C.

* Note : Dimensions, design and materials are subject to change without notice.

