

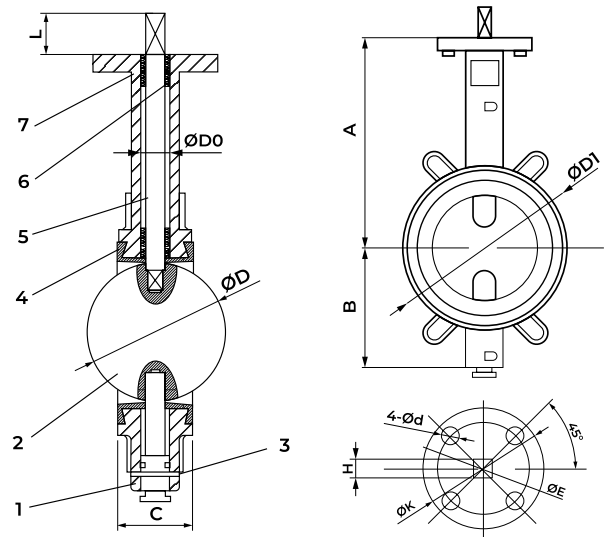
## DESIGN FEATURES:

Design and manufacture: MSS SP-67  
 Shaft square type  
 Doble Shaft  
 Gear box operation  
 Maximum temperature operation:  
 RPTFE -20°C (-4°F) to 150°C (302°F)  
 Wafer type mounting between ANSI class 150  
 and DIN PN16 flanges  
 Test standard: API 598

\* Reference photo

## MATERIAL LIST

	PART NAME	MATERIAL
1	BODY	ASTM A351 Gr. CF8M
2	DISC	ASTM A351 Gr. CF8M
3	PIN	STAINLESS STEEL
4	SEAT	RPTFE
5	STEM	STAINLESS STEEL
6	BUSHING	PTFE
7	O-RING	BUNA-N



Speed Logística y Servicios S.A.C. Importador y distribuidor autorizado de válvulas SUN en territorio latinoamericano.

## DIMENSIONS (mm)

SIZE	A	B	C	D	d0	L	ISO5211	K	E	H	4-Ød	ØD1	4-Ø	WEIGHT (Kg)
2"	161	80	42.3	52.9	14.3	30	F07	90	70	11	4-10	125	4-18	8
2 1/2"	175	89	45.8	64.5	14.3	30	F07	90	70	11	4-10	145	4-18	8.5
3"	181	95	45.8	78.8	14.3	30	F07	90	70	11	4-10	160	4-18	9
4"	200	114	52	104	15.77	30	F07	90	70	11	4-10	180	4-18	11
5"	213	127	55	123.3	18.92	30	F07	90	70	14	4-10	210	4-18	12.5
6"	226	139	55.8	155.1	18.92	30	F07	90	70	14	4-10	240	4-22	14
8"	260	175	61.5	202.5	22.1	40	F10	125	102	17	4-12	295	4-22	24
10"	292	203	67.2	250.5	28.45	40	F10	125	102	22	4-12	350	4-22	31
12"	337	242	76.9	301.6	31.6	40	F10	140	102	22	4-12	400	4-22	41

\* Note : Dimensions, design and materials are subject to change without notice.

MAC - MMXXI