



BUTTERFLY LUG STAINLESS STEEL CF3M 316L CLASS 150

Body: Stainless Steel CF3M 316L
 Designed in accordance with API 609
 Face to Face API 609
 Flange Connection Class 150
 ANSI/ASME B16.5 RF
 Disc CF8M (316)
 Shaft Bi eccentric. Seat metal/metal
 Mounting actuator ISO 5211 adaptable
 Operation: Lever or Gearbox

Square Shaft for mounting Lever or Gearbox
 Test Hidrostático API 598
 Diámetros: 2" a 12"

* Certification pending to norm API 609 from American Petroleum Institute

PRESSURE TEMPERATURE RATINGS

Temperature °F/°C	Pressure worked lbs/inch ² (PSI)
	Class 150
(-) 20 °F / (-) 29 °C to (+) 100 °F / (+) 38 °C	285
200 °F / 93 °C	260
300 °F / 149 °C	230
400 °F / 204 °C	200
500 °F / 260 °C	170
600 °F / 316 °C	140
650 °F / 343 °C	125
700 °F / 371 °C	110
750 °F / 399 °C	95
800 °F / 427 °C	80
850 °F / 454 °C	65
900 °F / 482 °C	50
950 °F / 510 °C	35
1000 °F / 538 °C	20



* Reference photo

* Note : Dimensions, design and materials are subject to change without notice.

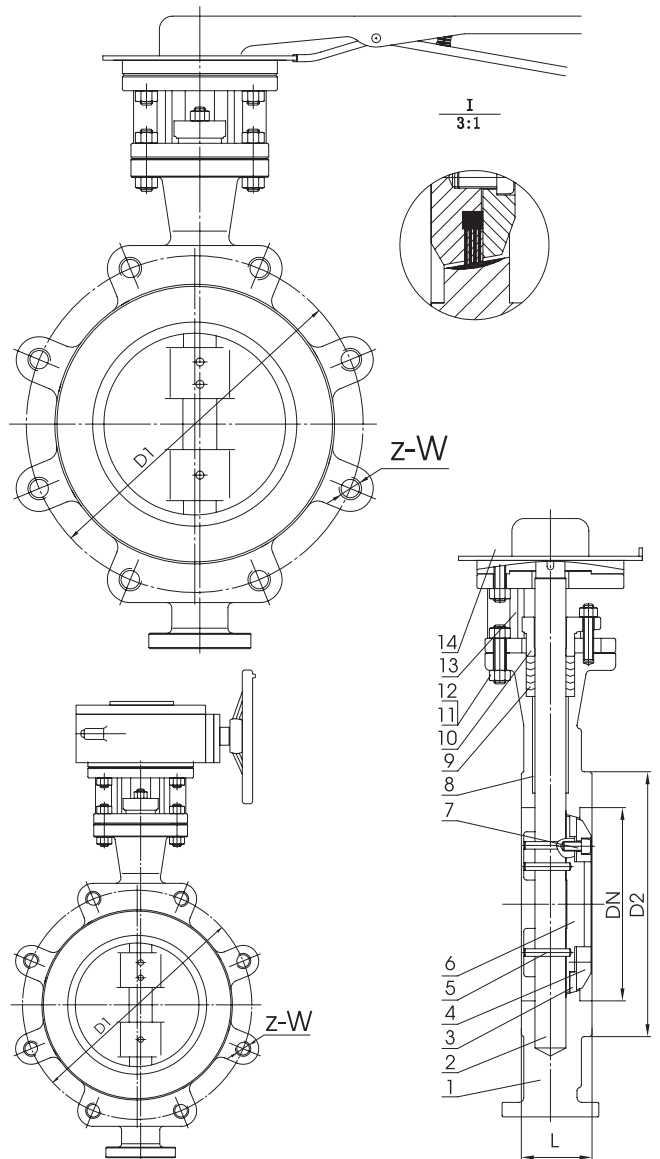


BUTTERFLY LUG STAINLESS STEEL CF3M 316L CLASS 150

MATERIALS

	PART NAME	MATERIAL
1	BODY	CF3M 316L
2	STEM	A276 304
3	SEALING-RING	316+GRAPHITE
4	PRESSURE PLATE	A182 F316
5	PIN	A276 304
6	DISC	CF8M 316
7	BOLT	A193 B8
8	BEARING	-
9	PACKING	GRAPHITE
10	GLAND	CF8
11	BOLT	A193 B7
12	NUT	A194 2H
13	YOKE	CF8
14	HANDWHEEL	CS

TEST API 598



DIMENSIONS (mm)

SIZE	L	D1	D2	z-W (N° Holes - Diameter)	Weight (Kg)
2"	43	120.5	92	4 - 5/8"	8
2 1/2"	46	139.5	105	4 - 5/8"	9
3"	48	152.5	127	4 - 5/8"	12
4"	54	190.5	157	8 - 5/8"	15
5"	57	-	-	8 - 3/4"	20
6"	57	241.5	216	8 - 3/4"	29
8"	64	298.5	270	8 - 3/4"	44
10"	72	362	330	12 - 7/8"	65
12"	81	432	405	12 - 7/8"	80

* Note : Dimensions, design and materials are subject to change without notice.