



# BUTTERFLY LUG DUCTILE IRON A536 200 PSIG

Body of Ductile Iron A536

Designed in accordance  
with MSS SP 67 and API 609

Flange Connections: ANSI/ASME B16.5 RF class 150

Direct Mounting Actuator ISO 5211

Tested according Section 5 AWWA c-504-87

Disk stainless steel CF8M (316)

Bipartite Shaft

Seat elastometric: EPDM

Maximum working pressure:

200 PSIG size 2" - 12"

150 PSIG size 14" - 24"

Maximum temperature operation:

EPDM -18°C (0°F) to 110°C (230°F)

Featuring Memoryseal seating technology

Operation Lever or Gearbox

Square shaft for mounting Lever or Gearbox

Hidrostatic test API 598

Diameters: 2" to 24"

NOTE: Soft seated valves are not recommended for steam  
service, hot and abrasive fluids.

\* Certification pending to norms API 609, MSS SP-67  
and Section 5 AWWA c-504-87.



\* Reference photo

\* Note : Dimensions, design and materials are subject to change without notice.

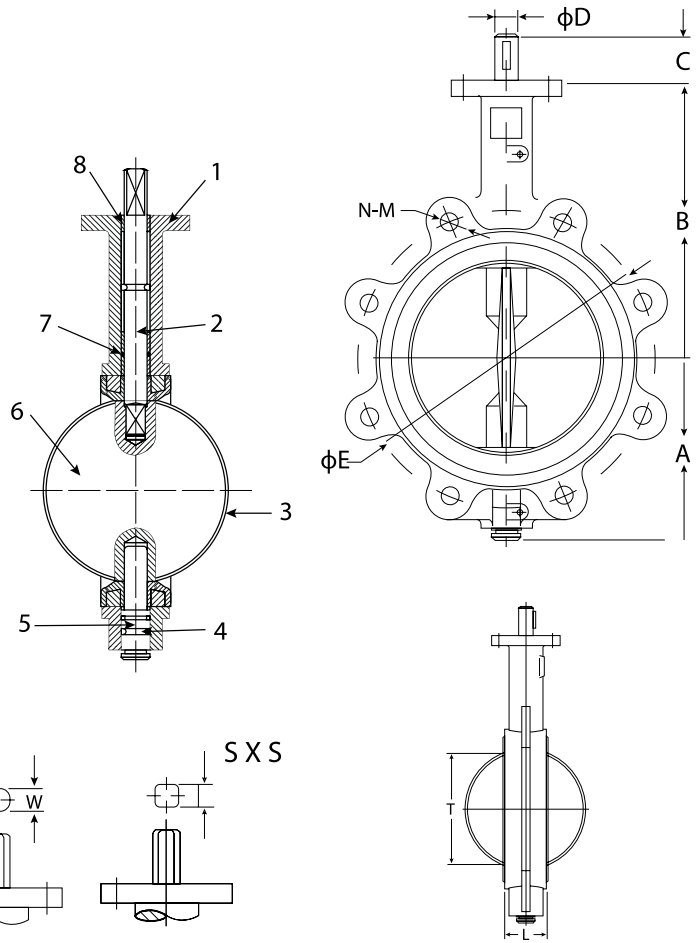


# BUTTERFLY LUG DUCTILE IRON A536 200 PSIG

## MATERIALS

	PART NAME	MATERIAL
1	BODY	DUCTILE IRON A536
2	UPPER STEM	SS 410
3	SEAT	EPDM
4	SPRING PIN	CARBON STEEL
5	LOWER STEM	STAINLESS STEEL
6	DISK	CF8M (316)
7	O-RING	EPDM
8	BUSHING	RPTFE

TEST API 598



## DIMENSIONS (mm)

SIZE	A	B	C	D	E	N-M	H	J	K	L	T	S	W	LEVER (Kg)	GEARBOX (Kg)
2"	85	162	32	12.7	120.7	4-5/8"-11	65	50	7	42	32	9	10	5	9
2 1/2"	98	174	32	12.7	139.7	4-5/8"-11	65	50	7	45	47	9	10	6	11
3"	104	181	32	12.7	152.4	4-5/8"-11	65	50	7	45	65	9	10	6.5	11.5
4"	123	200	32	15.9	190.5	8-5/8"-11	90	70	9.5	52	90	11	12	9	13
5"	136	213	32	19.1	215.9	8-3/4"-10	90	70	9.5	54	111	14	14	10.5	14.5
6"	148	225	32	19.1	241.3	8-3/4"-10	90	70	9.5	56	145	14	14	12.5	16
8"	186	260	38	22.2	298.5	8-3/4"-10	125	102	11.5	60	193	17	17	18.5	27
10"	212	292	38	28.6	362	12-7/8"-9	125	102	11.5	66	241	22	22	29.5	38
12"	251	337	38	31.8	431.8	12-7/8"-9	125	102	11.5	77	292	22	24	40	54
14"	277	368	45	31.8	476.3	12-1"-8	125	102	11.5	77	325	22	24	-	70
16"	308	400	51	33.3	539.8	16-1"-8	210	165	22	86	380	27	27	-	112
18"	342	422	51	38.1	577.9	16-1 1/8"-7	210	165	22	105	428	27	27	-	134
20"	374	479	64	41.3	635	20-1 1/8"-7	210	165	22	130	474	27	32	-	222
24"	459	562	70	50.8	749.3	20-1 1/4"-7	210	165	22	152	575	36	36	-	310

\* Note : Dimensions, design and materials are subject to change without notice.