



BUTTERFLY LUG STAINLESS STEEL CF8M (316) SEAT RPTFE 200 PSIG

Body of Stainless Steel CF8M (316)

Designed in accordance
with MSS SP 67 and API 609

Flange Connections: ANSI/ASME B16.5 RF
class 150

Mounting actuator ISO 5211 adaptable

Disk stainless steel CF8M (316)

Seat elastomeric RPTFE

Maximum working pressure:

200 PSIG size 2" - 12"

150 PSIG size 14" - 24"

Maximum temperature operation:

RPTFE -20°C (-4°F) to 150°C (302°F)

Featuring Memoryseal seating technology

Operation Lever or Gearbox

Square shaft for mounting Lever or Gearbox

Hydrostatic test API 598

Diameters: 2" to 24"

NOTE: Soft seated valves are not recommended for
steam service, hot and abrasive fluids.

* Certification pending to norms API 609, MSS SP-67
and Section 5 AWWA c-504-87.



* Reference photo

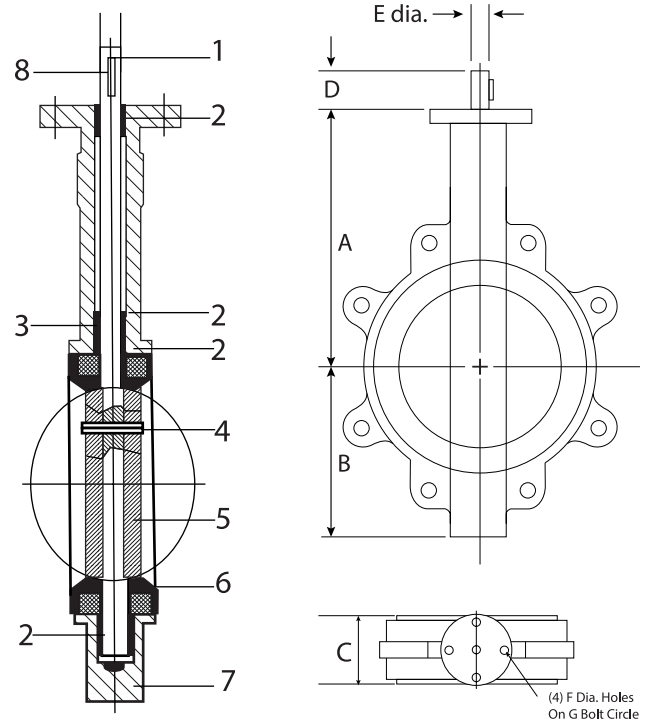
* Note : Dimensions, design and materials are subject to change without notice.



BUTTERFLY LUG STAINLESS STEEL CF8M (316) SEAT RPTFE 200 PSIG

MATERIALS

	PART NAME	MATERIAL
1	STEM	SS410
2	BUSHING	PTFE
3	O-RING	PTFE
4	PIN	SS316
5	DISK	CF8M
6	SEAT	RPTFE
7	BODY	CF8M
8	KEY	CARBON STEEL



TEST API 598

DIMENSIONS (mm)

SIZE	A	B	C	D	E	F	G	N° HOLES ANSI	LEVER (Kg)	GEARBOX (Kg)
2"	162	76	45	31.8	12.7	6.7	57.2	4	5	9
2 1/2"	175	89	48	31.8	12.7	6.7	57.2	4	6	11
3"	181	95	49	31.8	12.7	6.7	57.2	4	6.5	11.5
4"	200	114	55	31.8	15.9	10.3	69.8	8	9	13
5"	213	127	58	31.8	19.0	10.3	69.8	8	10.5	14.5
6"	225	140	59	31.8	19.0	10.3	69.8	8	12.5	16
8"	260	177	64	44.4	22.2	14.3	88.9	8	18.5	27
10"	292	203	70	44.4	28.6	14.3	88.9	12	29.5	38
12"	337	242	80	44.4	31.8	14.3	107.95	12	40	54
14"	368	267	80	45	31.8	14.3	107.95	12	-	70
16"	400	298	90	51	33.34	20.6	158.75	16	-	112
18"	422	318	109	51	38	20.6	158.75	16	-	134
20"	479	349	135	64	41.15	20.6	158.75	20	-	222
24"	562	410	156	70	50.65	22	215.9	20	-	310

* Note : Dimensions, design and materials are subject to change without notice.