



# VÁLVULA COMPUERTA INOXIDABLE FORJADA ASTM A182 CF3M (316L) CLASS 800 NPT OS&Y



## MATERIALES

|    | PARTE               | MATERIAL         |
|----|---------------------|------------------|
| 1  | Cuerpo              | ASTM A182 CF3M   |
| 2  | Asiento             | 13% Cr.          |
| 3  | Cuña                | ASTM A182 CF8M   |
| 4  | Vástago             | T316             |
| 5  | Junta               | SS 316 + GRAFITO |
| 6  | Bonete              | ASTM A182 CF3M   |
| 7  | Perno               | A193             |
| 8  | Empaquetadura       | GRAFITO          |
| 9  | Pin                 | ASTM A276 304    |
| 10 | Prensa Estopa       | ASTM A182 CF3M   |
| 11 | Cáncamo             | ASTM A193 B7     |
| 12 | Brida Prensa Estopa | ASTM A182 CF3M   |
| 13 | Tuerca              | A194             |
| 14 | Junta               | 304 + GRAFITO    |
| 15 | Tuerca Yugo         | ASTM A276 410    |
| 16 | Manubrio            | ASTM A197        |

Cuña de Disco Sólida | Vástago Ascendente (OS&Y)  
Roscado NPT ASME B1.20.1  
Sección Pared ASME B16.34 | Cara a Cara ASME B16.10  
Rangos de Presión - Temperatura ASME B16.34  
Test API 598

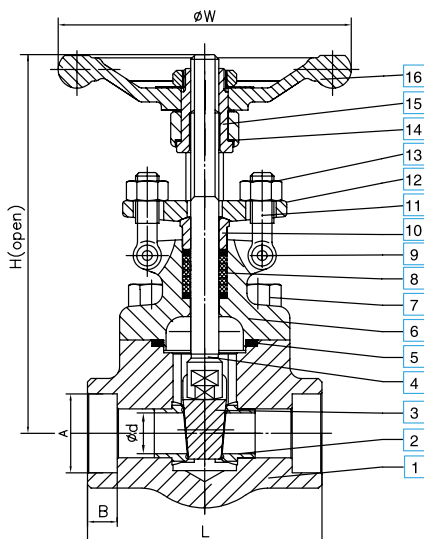
### Usos Recomendados

Tiene buena resistencia a los ácidos orgánicos y sales; ácidos sulfúrico y sulfuroso; ácidos fosfóricos y mezclas de ácidos fosfóricos fluorhídrico-sulfúrico; licores de sulfato y sulfito; agua de mar y otras soluciones de cloruro; hidróxido de sodio y vapor.

## DIMENSIONES

| MEDIDA | L    | W    | H     | d    | PESO (Kg) |
|--------|------|------|-------|------|-----------|
| ½"     | 2.87 | 3.94 | 5.71  | 0.37 | 1.08      |
| ¾"     | 3.15 | 3.94 | 6.02  | 0.51 | 1.76      |
| 1"     | 3.94 | 4.92 | 7.20  | 0.69 | 3.04      |
| 1 ¼"   | 4.49 | 6.30 | 8.46  | 0.94 | 5.15      |
| 1 ½"   | 4.72 | 6.30 | 9.21  | 1.14 | 5.68      |
| 2"     | 5.12 | 6.30 | 10.39 | 1.44 | 8.36      |

\* Dimensiones en pulgadas



## PRESIÓN - TEMPERATURA

| TEMPERATURA |           | PRESIÓN          |
|-------------|-----------|------------------|
| °F          | °C        | CLASE 800 (PSIG) |
| -20 to 100  | -29 to 38 | 1600             |
| 200         | 93        | 1363             |
| 300         | 149       | 1217             |
| 400         | 204       | 1120             |
| 500         | 260       | 1048             |
| 600         | 316       | 992              |
| 650         | 349       | 973              |
| 700         | 371       | 960              |
| 750         | 399       | 942              |
| 800         | 427       | 920              |
| 850         | 454       | 902              |

\* Nota : Dimensiones, diseño y materiales están sujetos a cambios sin previo aviso.



# GATE VALVE FORGED STAINLESS STEEL ASTM A182 CF3M (316L) CLASS 800 NPT OS&Y



## MATERIALS

|    | PART NAME    | MATERIAL          |
|----|--------------|-------------------|
| 1  | Body         | ASTM A182 CF3M    |
| 2  | Seat         | 13% Cr.           |
| 3  | Wedge        | ASTM A182 CF8M    |
| 4  | Stem         | T316              |
| 5  | Gasket       | SS 316 + GRAPHITE |
| 6  | Bonnet       | ASTM A182 CF3M    |
| 7  | Bolt         | A193              |
| 8  | Packing      | GRAPHITE          |
| 9  | Pin          | ASTM A276 304     |
| 10 | Gland        | ASTM A182 CF3M    |
| 11 | Eye Bolt     | ASTM A193 B7      |
| 12 | Gland Flange | ASTM A182 CF3M    |
| 13 | Nut          | A194              |
| 14 | Gasket       | 304 + GRAPHITE    |
| 15 | Yoke Nut     | ASTM A276 410     |
| 16 | Handwheel    | ASTM A197         |

Solid Wedge Disc | Stem Outside Screw and Yoke (OS&Y)  
 Threaded NPT ASME B1.20.1  
 Wall Section ASME B16.34 | Face-to-Face ASME B16.10  
 Pressure-Temp Ratings ASME B16.34  
 Testing API 598

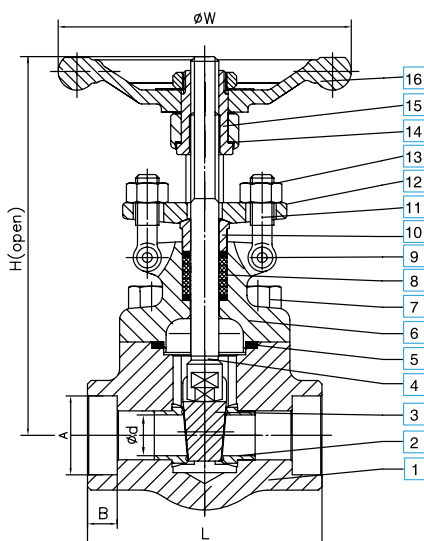
### Service Recommendations

It has good resistance to organic acids and salts, sulphuric and sulphurous acids, phosphoric and phosphoric-sulphurichydro fluoric acid mixtures, sulphate and sulphite liquors, sea water and other chloride solutions, sodium hydroxide and steam.

## DIMENSIONS

| SIZE | L    | W    | H     | d    | Weight (Kg) |
|------|------|------|-------|------|-------------|
| ½"   | 2.87 | 3.94 | 5.71  | 0.37 | 1.08        |
| ¾"   | 3.15 | 3.94 | 6.02  | 0.51 | 1.76        |
| 1"   | 3.94 | 4.92 | 7.20  | 0.69 | 3.04        |
| 1 ¼" | 4.49 | 6.30 | 8.46  | 0.94 | 5.15        |
| 1 ½" | 4.72 | 6.30 | 9.21  | 1.14 | 5.68        |
| 2"   | 5.12 | 6.30 | 10.39 | 1.44 | 8.36        |

\* Dimensions in inches



## PRESSURE TEMPERATURE

| TEMPERATURE |           | PRESSURE         |
|-------------|-----------|------------------|
| °F          | °C        | CLASS 800 (PSIG) |
| -20 to 100  | -29 to 38 | 1600             |
| 200         | 93        | 1363             |
| 300         | 149       | 1217             |
| 400         | 204       | 1120             |
| 500         | 260       | 1048             |
| 600         | 316       | 992              |
| 650         | 349       | 973              |
| 700         | 371       | 960              |
| 750         | 399       | 942              |
| 800         | 427       | 920              |
| 850         | 454       | 902              |

\* Note : Dimensions, design and materials are subject to change without notice.