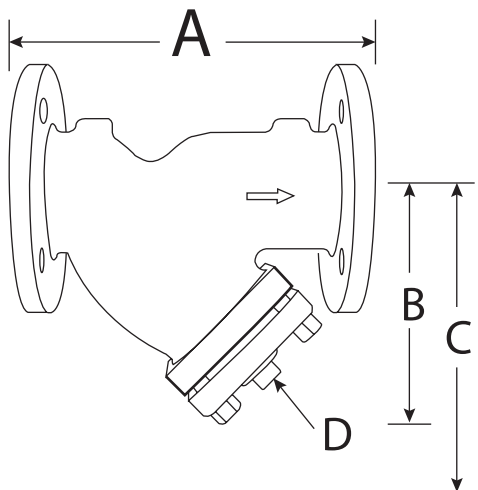




Y-Pattern Strainer Cast Steel A216 WCB Class 300



Body and Cover Cast Steel A216 WCB Class 300
 Norm Steel Valves: ANSI/ASME B16.34
 Flange dimensions: ANSI/ASME B16.5 RF
 Face to Face dimensions: ANSI/ASME B16.10
 Screen Stainless Steel 316 or 304
 Mesh 40
 Hydrostatic Testing API 598
 Diameters: 2" to 12"



MATERIALS

	PART NAME	MATERIAL
1	BODY	CARBON STEEL A216 Gr. WCB
2	COVER	CARBON STEEL A216 Gr. WCB
3	SCREEN	STAINLESS STEEL 316 or 304
4	GASKET	STAINLESS STEEL SPIRAL WOUND
5	STUDS	ALLOY STEEL
6	NUTS	ALLOY STEEL
7	BLOW-OFF PLUG NPT	CARBON STEEL

DIMENSIONS

SIZE	A	B	C	D	FAC-TOR CV
2"	245	134	178	15	70
2 1/2"	270	166	248	25	110
3"	305	178	254	25	160
4"	369	210	305	4	260
5"	491	286	432	50	400
6"	491	343	508	50	570
8"	594	394	578	50	950
10"	696	470	712	50	1600
12"	813	553	762	50	2200

* Dimensions in mm

PRESSURE TEMPERATURE

TEMPERATURE		PRESSURE
°F	°C	CLASS 150 (PSIG)
-20 to 100	-29 to 38	740
200	93	675
300	149	655
400	204	635
500	260	600
600	316	550
650	349	535
700	371	535
750	399	505
800	427	410
850	454	270

* Note : Dimensions, design and materials are subject to change without notice.