



STRAINER FORGED STAINLESS STEEL ASTM A182 CF3M (316L) CLASS 800 NPT



MATERIALS

	PART NAME	MATERIAL
1	BODY	ASTM A182
2	COVER	ASTM A182
3	SCREEN	SS316 / SS304
4	STUD BOLTS	B8
5	NUTS	B8
6	GASKET	SS 316 + GRAPHITE
7	PLUG	ASTM A182

Body and Cover Forged Satinless Steel A182 Class 800

Norm for steel valves: ANSI/ASME B16.34

Screen: Stainless Steel 316 o 304

Mesh: 40

Threaded End NPT ANSI/ASME B1.20.1

Welded End SW ANSI/ASME B16.11

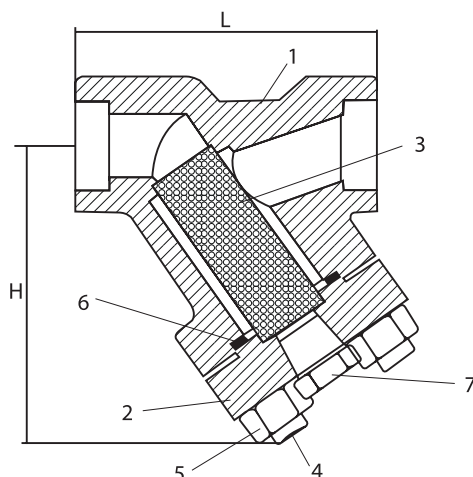
Hidrostatic Test API 598

Diameters 1/2" to 2"

DIMENSIONS

SIZE	L	H	Weight (Kg)
1/2"	98	70	2.2
3/4"	98	70	2.2
1"	120	100	4.2
1 1/4"	140	110	8.9
1 1/2"	140	120	8.9
2"	170	120	10

* Dimensions in mm



PRESSURE TEMPERATURE

TEMPERATURE		PRESSURE
°F	°C	CLASS 800 (PSIG)
-20 to 100	-29 to 38	1600
200	93	1363
300	149	1217
400	204	1120
500	260	1048
600	316	992
650	349	973
700	371	960
750	399	942
800	427	920
850	454	902

* Note : Dimensions, design and materials are subject to change without notice.